

XCELLENCE SERIES

X12CE - X15CE - X15LTE - X18WE



Copyright © 2012
All rights reserved

Pol. Ind. Norte - Perpinyà, 25
08226 TERRASSA
info@master-audio.com
master-audio.com

Nov 12
User's manual / *Manual usuario*

ENGLISH



WARNING:
To reduce the risk of fire or electric shock do not expose this equipment to rain or moisture



Safety Instructions

1. All safety instructions must be read before using this device.
2. The exclamation mark in the triangle indicates internal components which if replaced can affect safety.
3. The lightning symbol within the triangle indicates the presence of dangerous uninsulated voltages.
4. This device must not be exposed to rain or humidity. It must not be used for example near swimming pools, fountains or any other place where it might be affected by liquids.
5. Only clean the device with a dry cloth.
6. Do not situate the equipment where its ventilation system might be interfered with.
7. Do not install the device near heat sources such as radiators, heaters or other heat-emitting elements.
8. The equipment must be repaired by qualified technical service personnel when:
 - A. The mains supply cable is damaged, or
 - B. Any object or liquid has damaged the device; or
 - C. The equipment does not function normally or correctly; or
 - D. The equipment has been exposed to the rain; or
 - E. The chassis is damaged
9. Disconnect the device in the case of electric storms or during long periods of disuse.
10. Never hang the equipment by its handle.
11. Only use manufacturer recommended accessories.

1. INTRODUCTION

1.1. General product information

Master Audio thank you for the trust placed in our **Xcellence** loudspeaker systems.

The Xcellence series combines the convenience of a self-powered system and the flexibility of the DSP (digital system processing) for cabinet control.

More than 40 years' experience in amplifier and acoustic cabinet design using the highest technology and components come together to give you a product ideal for a multitude of applications, from sound back-up systems for theatres, clubs or TV channels to even churches, corporate events or concert halls.

Coaxial technology in X12CE and X15CE achieves a sound distribution system which is totally coherent and in phase (as a point source). This is due to the fact that the directivity of the high and low frequency transducers couples up perfectly with the crossover frequency from the filters. This results in very smooth transitions between the bass and high frequency zone and the elimination of secondary null zones due to polar lobbing. The directivity of the cabinets with coaxial transducers is totally symmetric in the horizontal or vertical plane.

We suggest you read the following information with attention, assured that it will be of maximum use in helping you to achieve the best results and optimum performance.

1.2. Features and appearance

X12CE & X15CE

- Self-powered cabinet.
- 800W amplifier for mid-bass range.
- 200W amplifier for high range.
- 24-bit AD/DA converters with 112dB dynamic range, 96kHz sampling rate.
- DSP Controls (parametric EQs, delay, volume, polarity and limiters).
- Amplifier self-diagnostics: output power, temperature, clipping.
- Ethernet connectivity.
- Overvoltage protection (>250V-400V).
- Two-way coaxial speaker with 80° symmetry, including one 12" woofer (X12CE) and one 15" woofer (X15CE) in neodymium and one 3" voice coil diameter, titanium diaphragm compression driver.
- Birch plywood construction.
- Polyurea black textured paint finish.
- Frontal steel grille with acoustically transparent grey cloth.

X15LTE

- Self-powered cabinet.
- 1000W amplifier for mid-bass range.
- 200W amplifier for high range.
- 24-bit AD/DA converters with 112dB dynamic range, 96kHz sampling rate.
- DSP Controls (parametric EQ, delay, volume, polarity and limiters).
- Amplifier self-diagnostics: output power, temperature, clipping.

- Ethernet connectivity.
- Overvoltage protection (>250V-400V).
- One 15" woofer in neodymium (4" voice coil).
- One 3" voice coil diameter, titanium diaphragm compression driver.
- 60° x 50° rotatable horn.
- Birch plywood construction.
- Polyurea black textured paint finish.
- Frontal steel grille with acoustically transparent grey cloth.

X18WE Subwoofer

- Self-powered cabinet.
- 2400W amplifier for bass range.
- 24-bit AD/DA converters with 112dB dynamic range, 96kHz sampling rate.
- DSP Controls (parametric EQs, delay, volume, polarity and limiter).
- Amplifier self-diagnostics: output power, temperature, clipping.
- Ethernet connectivity.
- Overvoltage protection (>250V-400V).
- 18" speaker in neodymium, 4" voice coil and demodulation rings to reduce distortion and the transitory response.
- Birch plywood construction.
- Polyurea black textured paint finish.
- Frontal steel grille with acoustically transparent grey cloth.

2. X12CE & X15CE FEATURES

The X12CE & X15CE cabinets are ideal for a multitude of applications. They include 800W bi-amplification for the mid range woofer, 200W for the high range compression driver and digital signal control by DSP. The manufacturer presets FACTORY, NEARFIELD, SPEECH, MONITOR, and XOVER make it easy, flexible and user-friendly.

In terms of its electro-acoustic qualities, the coaxial transducer gives a totally symmetrical response free of null zones from polar lobbing effect. It comprises a 12" or 15" woofer with a 3" voice coil and a compression driver with 3" voice coil and titanium diaphragm.

The result is a clean, high quality sound whether for nearfield listening or at full power in larger sites.

Thanks to its wedge shape it can be used as an onstage monitor, obtaining stable, homogeneous response and coverage.

The upper and lower surfaces incorporate a pole mount socket for a standard 35mm tripod, which at the same time allows for the use of a UBX hanging support (see accessories).

2.1. Technical description

The X12CE and X15CE cabinets come with DSP control, full range sound delivery thanks to their direct radiation coaxial transducer and acoustic bass reflex cabinet. As a full range system, its response is 58Hz-18kHz (+/- 3dB) with a usable bandwidth

between 50Hz-20kHz (-10dB) for X-12CE and 53Hz-18kHz (+/- 3 dB) with a usable bandwidth between 45Hz-20kHz (-10dB) for X-15CE.

They have 1000W continuous amplification (800W + 200W), thermal protection, output short circuit protection, maximum power limiters for each channel, and protection against overvoltage. The DSP includes 5 presets which can be selected either accessing the cabinet's rear control panel or via the computer with Ethernet connection. The FACTORY preset gives a maximum flat response in free field conditions; NEARFIELD has -3dB in mid range for medium volume, close range listening; SPEECH has -9dB bass, -6dB high for voice use with a microphone; MONITOR gives a flat response in half space (floor position); XOVER has a high pass filter at 100Hz for bass frequency back up (subwoofer).

The X12CE and X15CE cabinets are connected using the XLR balanced connector. Mains supply is through PowerCon at 230V.

They are built in birch plywood, which has a high resistance to vibrations and humidity with black polyurea paint finish. The front face is protected by a 1.5 mm thick steel grille with acoustically transparent grey cloth.

Wedge shape. As onstage monitor, the front baffle is oriented at 35° from vertical.

They include one in-built lateral handle for an easy and comfortable transport.

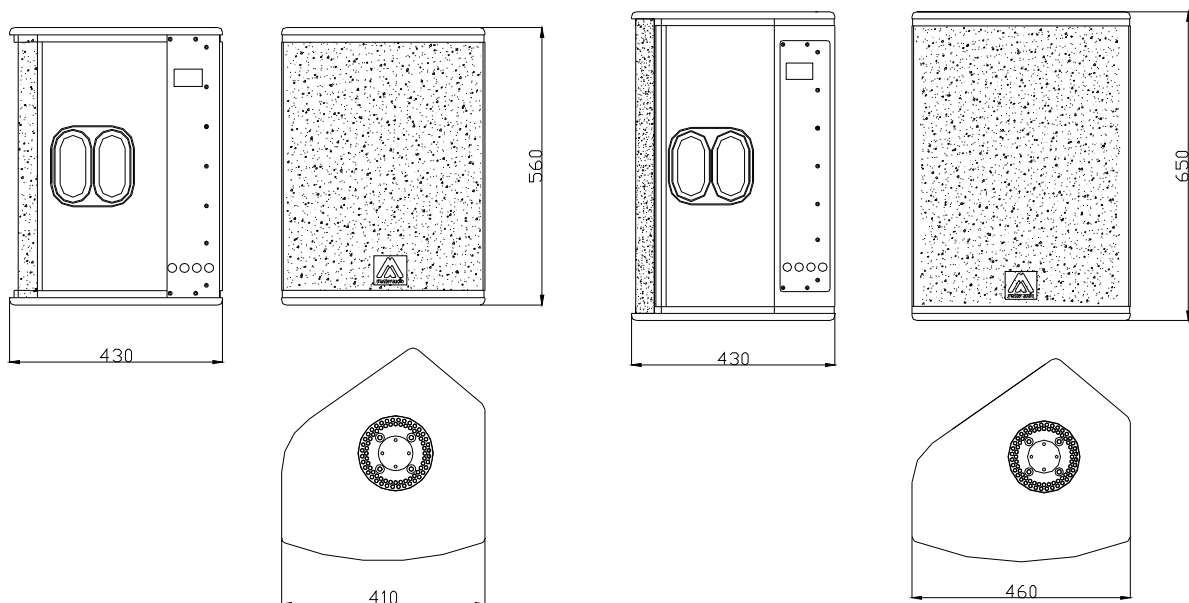


Fig.1. X12CE and X15CE external dimensions

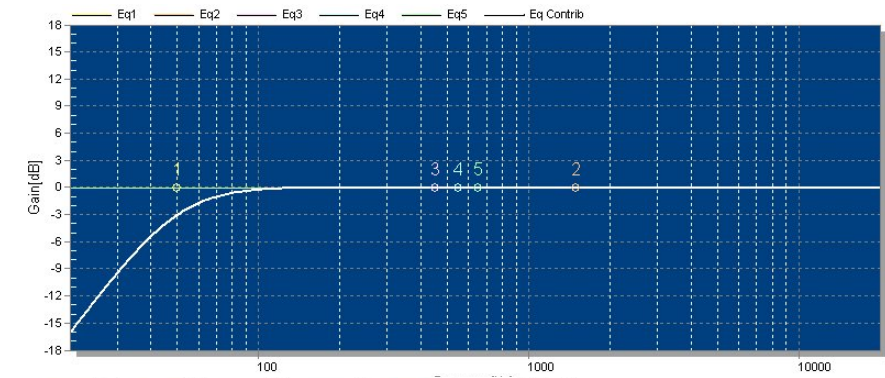
2.2. Presets

The X12CE and X15CE include five manufacturer presets for different types of application. The DSP system can also store up to 23 other presets, depending on user requirements

P1-FACTORY

Flat response

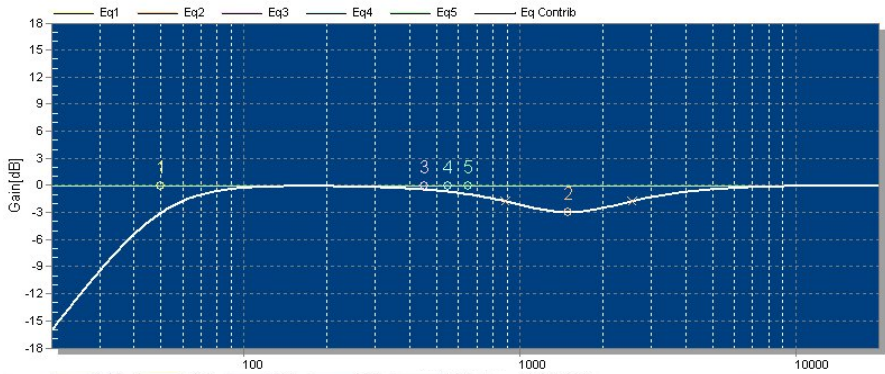
- Standard preset



P2-NEARFIELD

-3dB mid

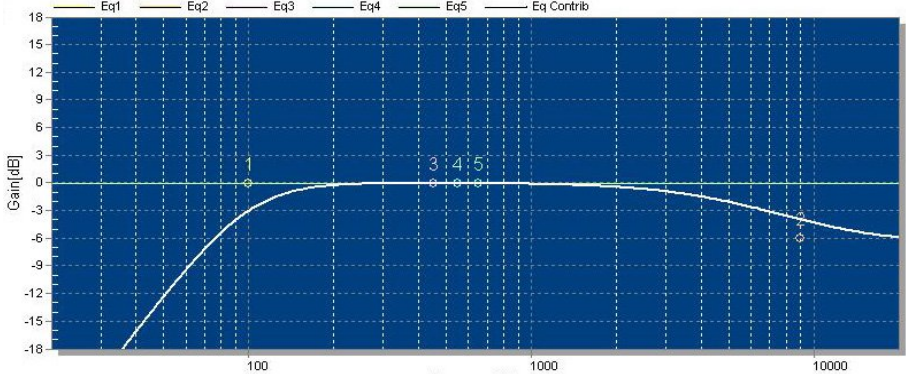
- Small venues
- Medium level
- Short-medium distance



P3-SPEECH

-9dB Low
-6dB High

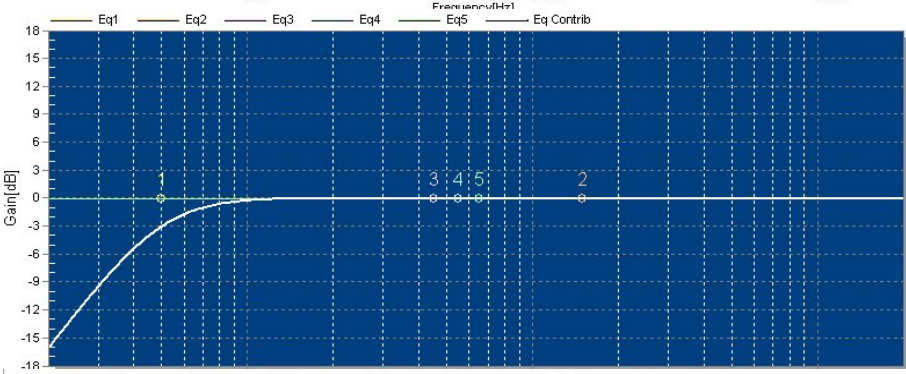
- Microphone use
- No matter level or distance



P4-MONITOR

Flat response

- floor use



P5-XOVER

HPF 100Hz

- use with subwoofer

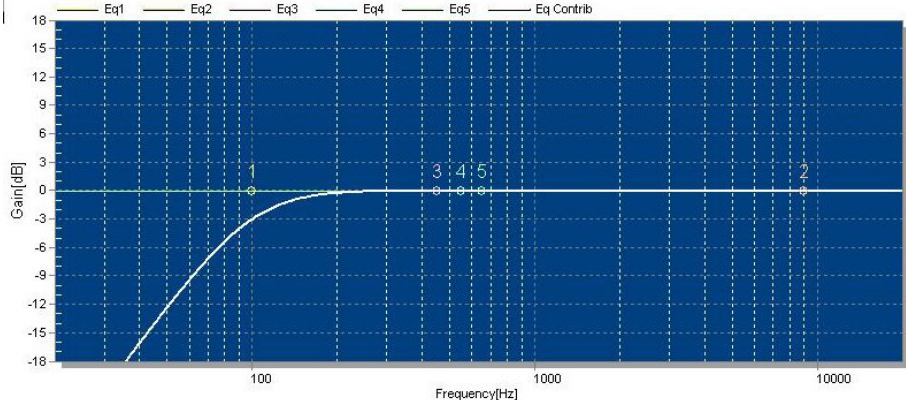


Fig.2. PRESET options for X12CE and X15CE

3. X15LTE FEATURES

The X15LTE cabinet is ideal for a multitude of applications. It includes 1000W bi-amplification for the mid range woofer, 200W for the high range compression driver and digital signal control by DSP. The manufacturer presets FACTORY, NEARFIELD, LOUDNESS, SPEECH and XOVER make it easy, flexible and user-friendly.

The result is a clean, high quality sound whether for nearfield listening or at full power in larger sites.

The lower surface incorporates a pole mount socket for a standard 35mm tripod and the top surface incorporates a M10 thread.

3.1. Technical description

The X15LTE cabinet comes with DSP control, full range sound delivery thanks to its direct radiation transducer and acoustic bass reflex cabinet. As a full range system, its response is 50Hz-18kHz (+/- 3dB) with a usable bandwidth between 42Hz-19kHz (-10dB).

It has 1200W continuous amplification (1000W + 200W), thermal protection, output short circuit protection, maximum power limiters for each channel, and protection against overvoltage. The DSP includes 5 presets which can be selected either accessing the cabinet's rear control panel or via the computer with Ethernet connection. The FACTORY preset gives a maximum flat response in free field conditions; NEARFIELD has -3dB in mid range for medium volume, close range listening; LOUDNESS has -6dB in mid range for medium volume with more mid range correction; SPEECH has -6dB bass, -6dB high for voice use with a microphone; XOVER has a high pass filter at 100Hz for bass frequency back up (subwoofer).

The X15LTE cabinet is connected using the XLR balanced connector. Mains supply is through PowerCon at 230V. It is built in birch plywood, which has a high resistance to vibrations and humidity with black polyurea paint finish. The front face is protected by a 1.5 mm thick steel grille with acoustically transparent grey cloth.

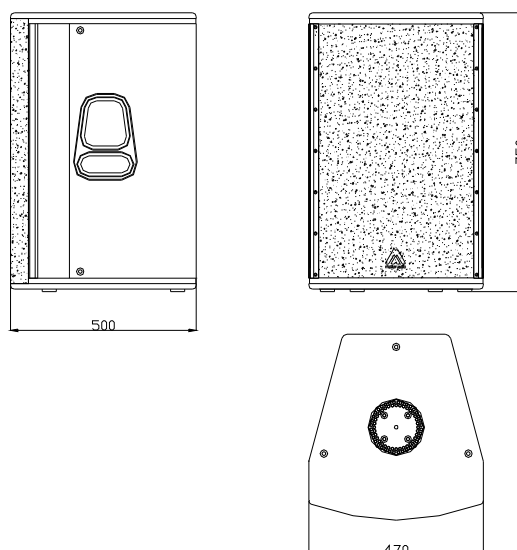


Fig.3. X15LTE external dimensions

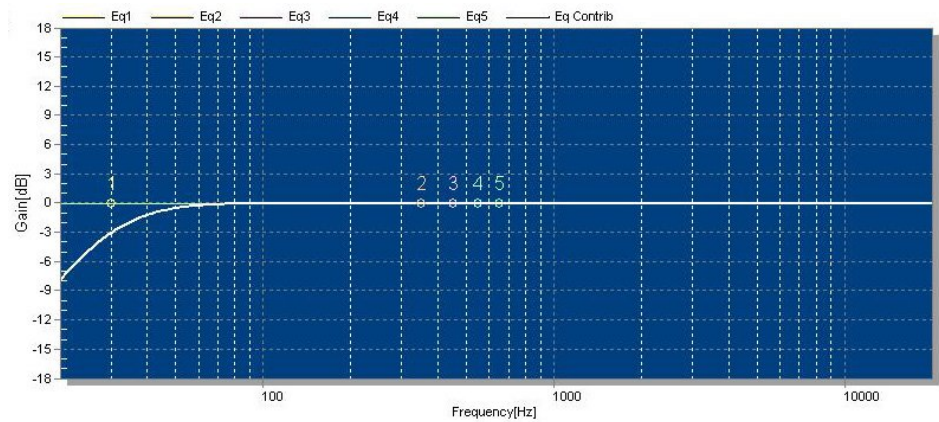
3.2. Presets

The X15LTE includes five manufacturer presets for different types of application. The DSP system can also store up to 23 other presets, depending on user requirements

P1-FACTORY

Flat response

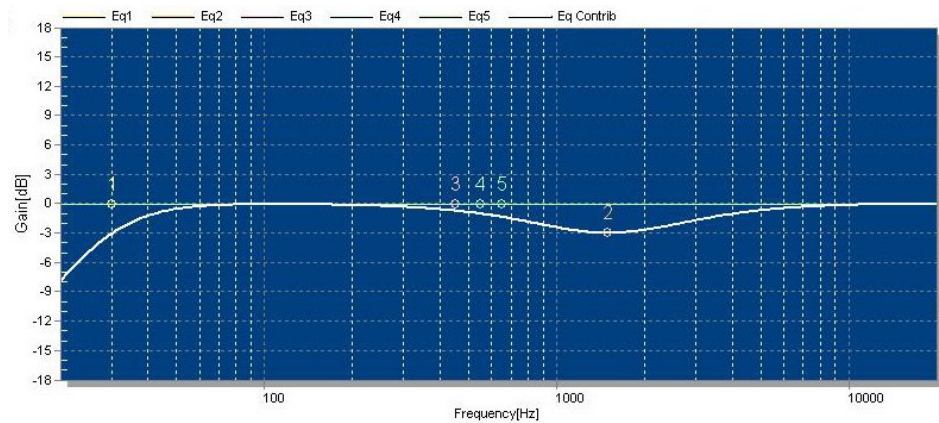
- Standard preset



P2-NEARFIELD

-3dB mid

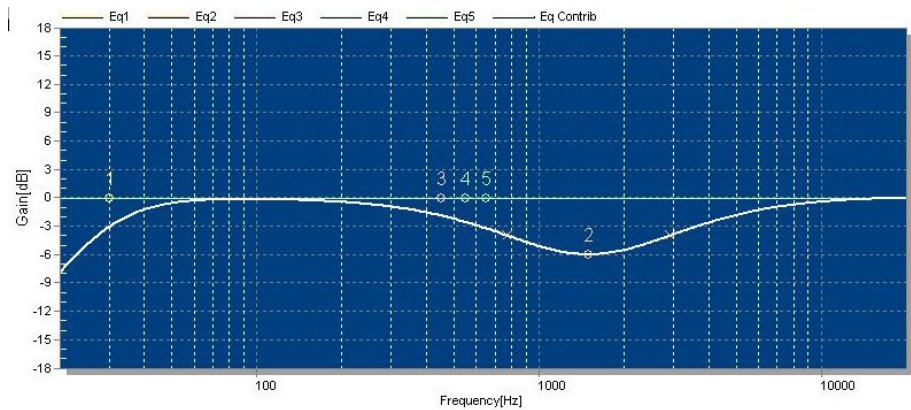
- Small venues
- Medium level
- Short-medium distance



P3-LOUDNESS

-6dB mid

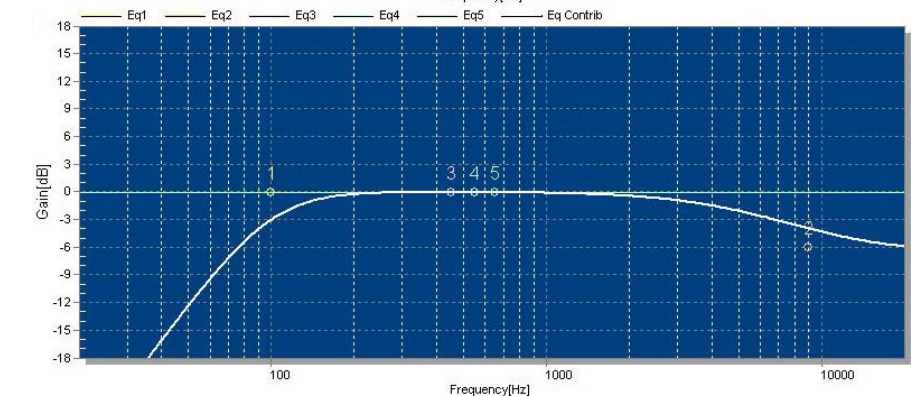
- Small venues
- Medium level
- Short-medium distance
- Deeper mid correction



P4-SPEECH

-6dB low
-6dB high

- Microphone use
- No matter level or distance



P5-XOVER

HPF 100Hz

- use with subwoofer

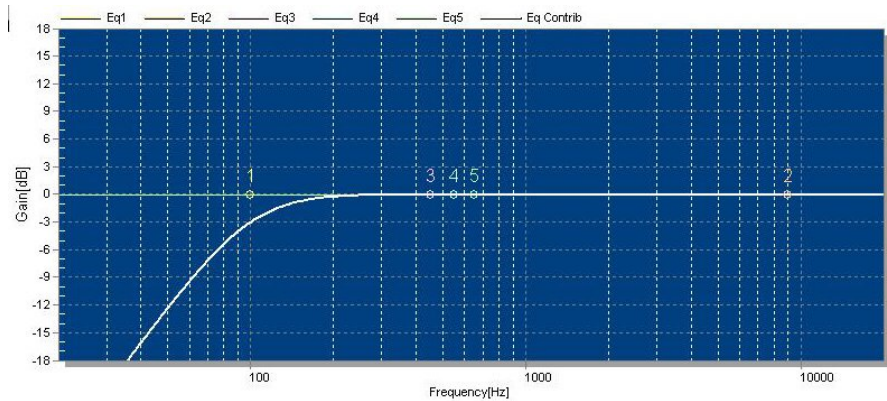


Fig.4. PRESET options for X15LTE

4. X18WE FEATURES

The X18WE cabinet is ideal for bass reinforcement in general and specifically in combination with models X12CE, X15CE and X15LTE. It includes 2400W amplification for the woofer and digital signal control by DSP. The manufacturer presets (LPF90+3, LPF90+6, LPF110+3, LPF110+6, LPF130+3, LPF130+6, CARDIOID) make it easy, flexible and user-friendly.

The 18” neodymium woofer used, thanks to its exclusive magnetic design, combines excellent bass frequency response, high performance and low distortion. These features are mainly due to the presence of demodulation rings which drastically reduce the inter-modulation and third order distortion and considerably improve the transitory response. There is excellent heat dissipation due to the external positioning of the magnet set. Without any doubt one of the finest bass transducers currently available. The result is a clean, high quality sound.

The upper surface incorporates a pole mount socket for a standard 35mm bar.

4.1. Technical description

The X18WE cabinet comes with DSP control, with direct radiation transducer and acoustic bass reflex cabinet. As a bass reinforcement system, its frequency response is 35Hz-130Hz (+/- 3dB) with a usable bandwidth between 30Hz-140Hz (-10dB).

It has 2000W continuous amplification, thermal protection, output short circuit protection, maximum power limiters for each channel, and protection against overvoltage. The DSP includes 7 presets which can be selected either accessing the cabinet’s rear control panel or via the computer with Ethernet connection. The LPF90+3 preset means low pass filter at 90Hz and +3dB boost at 50Hz; LPF90+6 means low pass filter at 90Hz and +6dB boost at 50Hz; LPF110+3 means low pass filter at 110Hz and +3dB boost at 50Hz; LPF110+6 means low pass filter at 110Hz and +6dB boost at 50Hz; LPF130+3 means low pass filter at 130Hz and +3dB boost at 50Hz; LPF130+6 means low pass filter at 130Hz and +6dB boost at 50Hz and CARDIOID means cardioid polar pattern when used in combination with two other X18WE subwoofers.

By upping the low pass filter a greater ‘boom’ sensation can be achieved, but clarity is lost. It is down to the user to decide on the most suitable preset.

The X18WE is connected using the XLR balanced connectors. Mains supply is through PowerCon at 230V.

It is built in birch plywood, which has a high resistance to vibrations and humidity with black polyurea paint finish. The front face is protected by a 1.5 mm thick steel grille with acoustically transparent grey cloth.

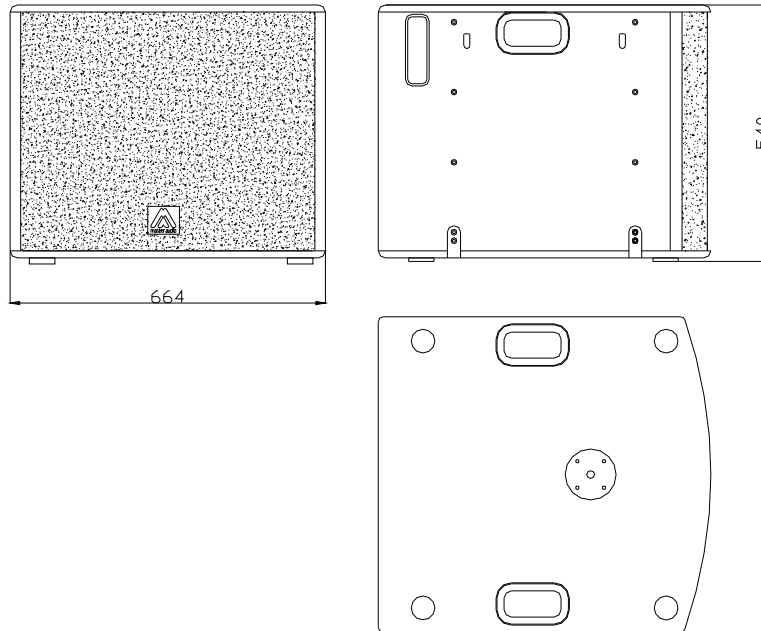


Fig.5. X18WE external dimensions

4.2. Presets

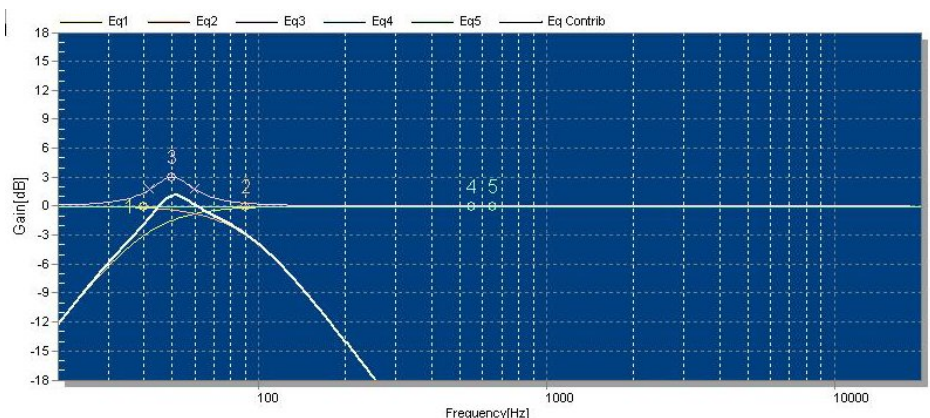
The X18WE includes seven manufacturer presets for different types of application. The DSP system can also store up to 23 other presets, depending on user requirements.

ATTENTION: When the X18WE is used in conjunction with the X12CE, X15CE or X15LTE in XOVER preset, the X18WE must operate in positive polarity.

When the X18WE is used in conjunction with the X12CE, X15CE or X15LTE in FACTORY, NEARFIELD, LOUDNESS, SPEECH or MONITOR presets, the X18WE must operate in negative polarity.

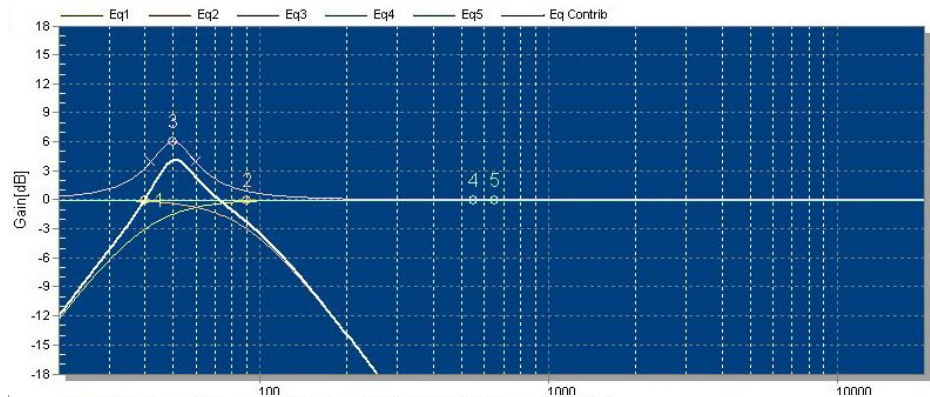
P1-LPF90+3

Low pass filter at 90Hz with +3dB boost at 50Hz



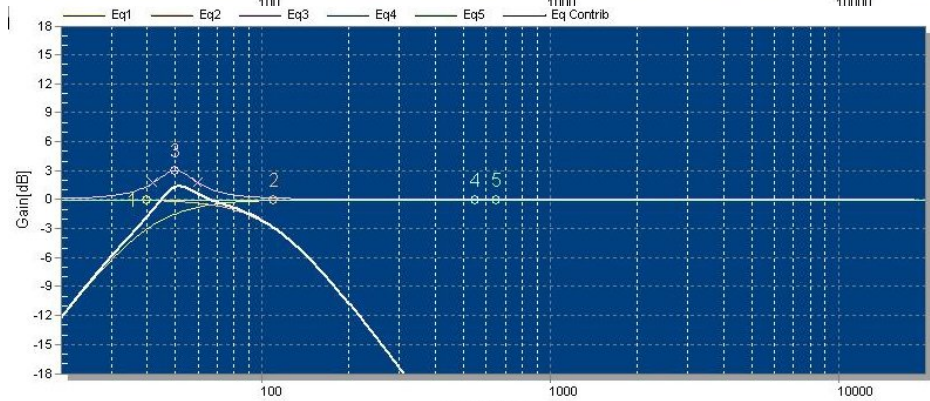
P2-LPF90+6

Low pass filter
at 90Hz with +6dB
boost at 50Hz



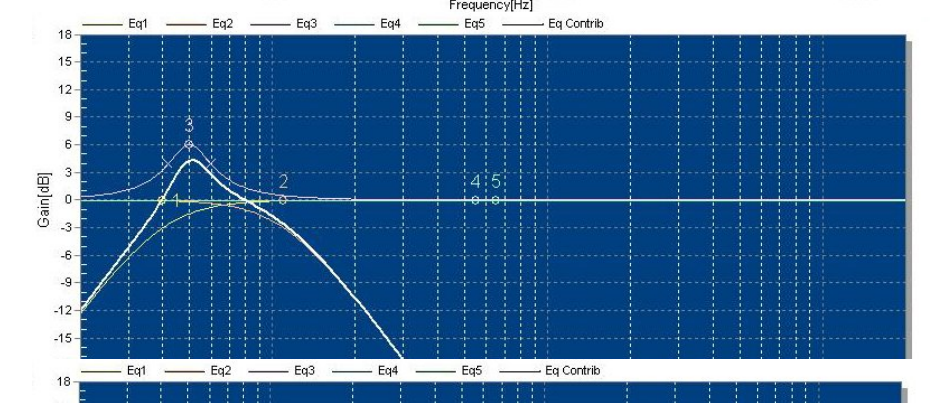
P3-LPF110+3

Low pass filter
at 110Hz with +3dB
boost at 50Hz



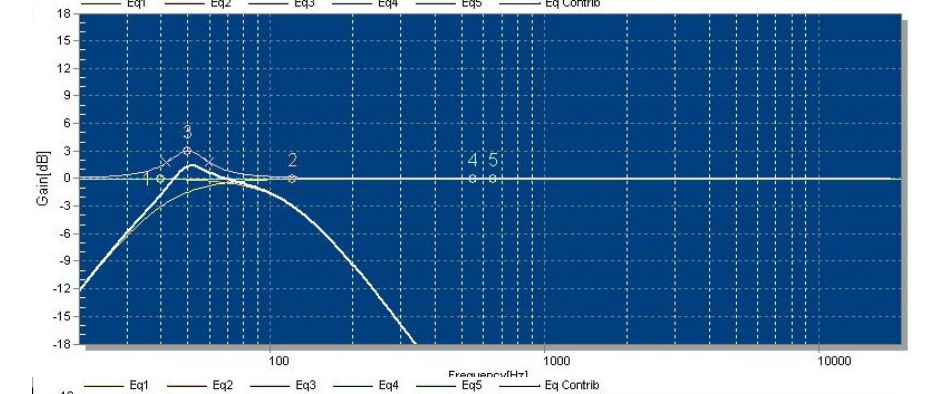
P4-LPF110+6

Low pass filter
at 110Hz with +6dB
boost at 50Hz



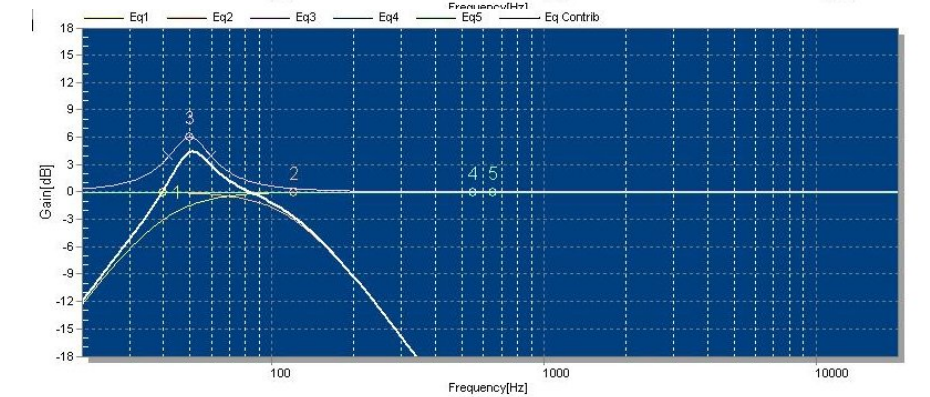
P5-LPF130+3

Low pass filter
at 130Hz with +3dB
boost at 50Hz



P6-LPF130+6

Low pass filter
at 130Hz with +6dB
boost at 50Hz



P7-CARDIOID

(Cardioid polar pattern, with delay and inverse polarity)

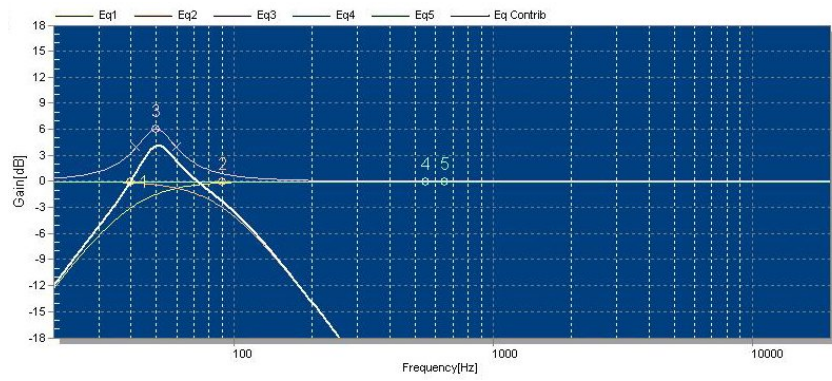


Fig.6. X18WE PRESET options

5. CONTROL AND CONNECTION PANELS

The X12CE, X15CE and X15LTE control panels contain the following elements:

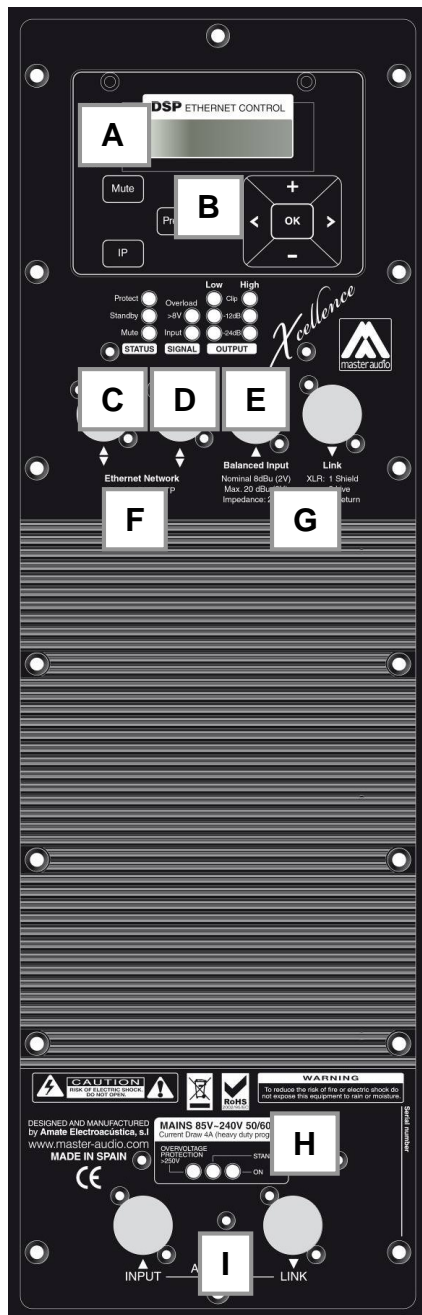


Fig.7. X12CE, X15CE and X15LTE control and connection panel

A) LCD: Displays basic information about the DSP Status

B) KEYPAD: Allows the user to perform basic operations on the DSP such as IP address setting, Preset selection, etc.

C) STATUS LEDES: Report a special event happening in the system

- **Protect:** (Red) A fault condition is being reported by the amplifier. If this LED is constantly lit even after resetting the device, please contact the technical service.
- **Standby:** (Orange) This led is lit when the equipment is set in Low Power Consumption mode. This mode can only be set through the PC connection.
- **Mute:** (Orange) The system is muted (amplifiers are disabled). The system can be muted from the PC remote control or from the keypad.

IMPORTANT: When the amplifier is in MUTE, the PROTECT LED will be also lit to show that the amplifier is disabled. Also when the system is waking up from the STANDBY mode, the PROTECT led will be lit for a few seconds. Under these circumstances the PROTECT LED is reporting that the amplifier is disabled, but not a fault condition.

D) SIGNAL INPUT LEDES: Monitor the signal arriving at the module input.

- **Input:** Signal is present at the input. Nominal input level is +8dBu (2Vrms).
- **>8 Overload:** The input signal exceeds +14dBu (4Vrms), so it will be compressed. Avoid the continuous lighting of this led in order to preserve the dynamic range of the audio signal.

E) OUPUT LEDES: Show the amplifier output level, both for Low and High channels.

- **-24dB:** The amplifier is delivering output power at -24dB of its maximum power
- **-12dB:** The amplifier is delivering output power at -12dB of its maximum power
- **Clip:** The amplifier is delivering its maximum output power

The connection panel has the following parts:

F) NETWORK: Computer connection through Ethernet protocol. Two 8-pin RJ45 / EtherCon® compatible connectors with an internal switch allow the connection of several units in daisy-chain. Please refer to Master Audio DSPStudio Quick Installation Guide for more information on the remote connection.

G) BALANCED INPUT/LINK:

XLR-3 Female balanced signal connector for signal input.

XLR-3 Male connector for parallel connection of various cabinets with the same input signal.

IMPORTANT: Please always use balanced microphone cable with the following pin assignment:

1= Shield (Ground) 2= Live (+) 3= Return (-)

H) AC INPUT/OVERVOLTAGE PROTECTION: These leds show the status of the AC mains supply.

- **ON:** (Blue) When lit, the equipment is ON and the AC input level is within the permitted range (up to 250 VAC).

- **STANDBY:** (Orange) This led is lit when the equipment is sensing the AC voltage at the input. At power-up this led will lit for a second while the systems checks for the input voltage.
- **>250V OVERVOLTAGE PROTECTION:** (Red) When activated, the AC voltage is permanently out of the permitted range of the equipment, so it will remain under protection until this condition is solved. Revise your connections and mains power installation and consider that other equipment connected to this line may have been damaged.

I) AC MAINS INPUT/LINK: Mains supply connection via PowerCon.

- Blue connector for AC in.
- Grey connector to feed other units in parallel. Linking up to 4 units is possible, provided that a quality cable of a minimum section of 3x2.5mm² is used. Connecting more than 4 units in parallel may lead to a voltage drop in the cable that will reduce the equipment performance.



Always use mains power cable supplied by manufacturer.
Never connect the Xcellence Line Array cabinets to an unearthed mains supply or by using an unearthed mains cable.

The X18WE control panel contains the following elements:

A) LCD: Displays basic information about the DSP Status

B) KEYPAD: Allows the user to perform basic operations on the DSP such as IP address setting, Preset selection, etc.

C) STATUS LEDES: Report a special event happening in the system

- **Protect:** (Red) A fault condition is being reported by the amplifier. If this LED is constantly lit even after resetting the device, please contact the technical service.
- **Standby:** (Orange) This led is lit when the equipment is set in Low Power Consumption mode. This mode can only be set through the PC connection.
- **Mute:** (Orange) The system is muted (amplifiers are disabled). The system can be muted from the PC remote control or from the keypad.

IMPORTANT: When the amplifier is in MUTE, the PROTECT LED will be also lit to show that the amplifier is disabled. Also when the system is waking up from the STANDBY mode, the PROTECT led will be lit for a few seconds. Under these circumstances the PROTECT LED is reporting that the amplifier is disabled, but not a fault condition.

D) SIGNAL INPUT LEDES: Monitor the signal arriving at the module input.

- **Input:** Signal is present at the input. Nominal input level is +8dBu (2Vrms).
- **>8 Overload:** The input signal exceeds +14dBu (4Vrms), so it will be compressed. Avoid the continuous lighting of this led in order to preserve the dynamic range of the audio signal.

E) OUPUT LEDES: Show the amplifier output level

- **-24dB:** The amplifier is delivering output power at -24dB of its maximum power
- **-12dB:** The amplifier is delivering output power at -12dB of its maximum power
- **Clip:** The amplifier is delivering its maximum output power

The connection panel has the following parts:

F) NETWORK: Computer connection through Ethernet protocol. Two 8-pin RJ45 / EtherCon® compatible connectors with an internal switch allow the connection of several units in daisy-chain. Please refer to Master Audio DSPStudio Quick Installation Guide for more information on the remote connection.

G) BALANCED INPUT/LINK:

XLR-3 Female balanced signal connector for signal input.

XLR-3 Male connector for parallel connection of various cabinets with the same input signal.

IMPORTANT: Please always use balanced microphone cable with the following pin assignment:

1= Shield (Ground) 2= Live (+) 3= Return (-)

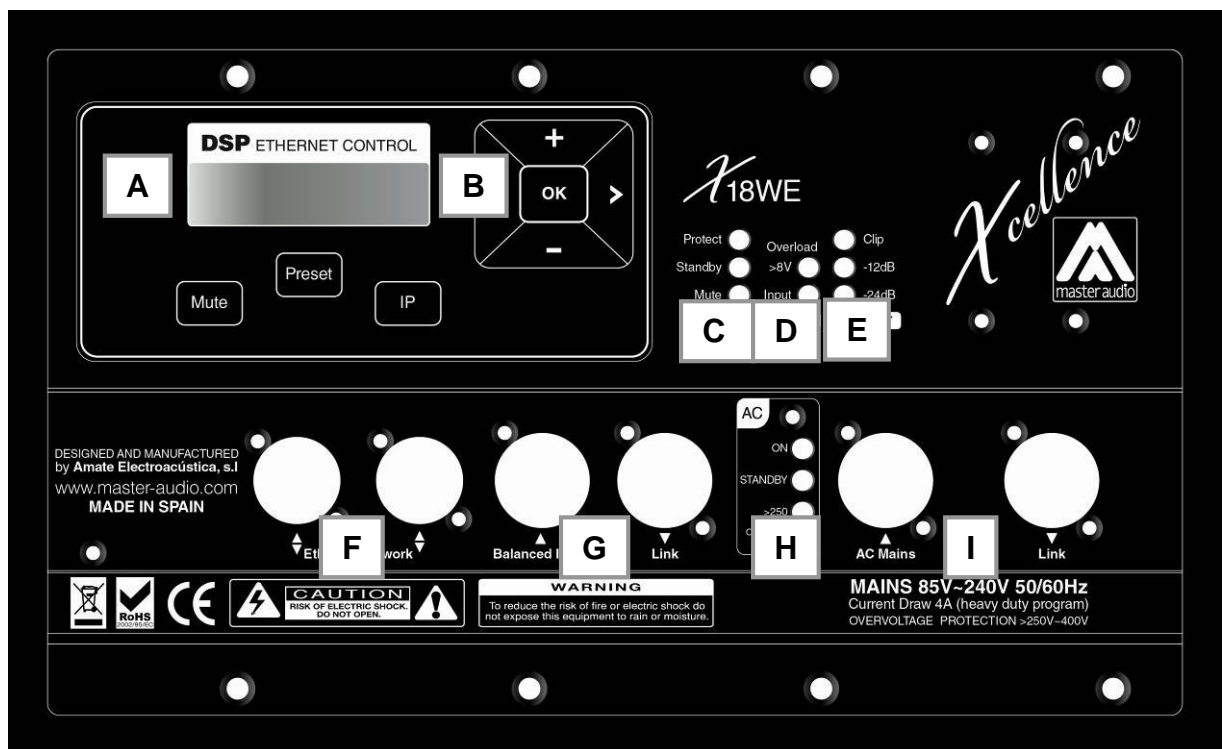


Fig.8. X18WE control and connection panel

H) AC INPUT/OVERVOLTAGE PROTECTION: These leds show the status of the AC mains supply.

- **ON:** (Blue) When lit, the equipment is ON and the AC input level is within the permitted range (up to 250 VAC).
- **STANDBY:** (Orange) This led is lit when the equipment is sensing the AC voltage at the input. At power-up this led will lit for a second while the systems checks for the input voltage.
- **>250V OVERVOLTAGE PROTECTION:** (Red) When activated, the AC voltage is permanently out of the permitted range of the equipment (>250VAC), so it will remain under protection until this condition is solved. Revise your connections and mains power installation and consider that other equipment connected to this line may have been damaged.

I) AC MAINS INPUT/LINK: Mains supply connection via PowerCon.

- Blue connector for AC in.
- Grey connector to feed other units in parallel. Linking up to 2 units is possible, provided that a quality cable of a minimum section of 3x2,5 mm² is used. Connecting more than 2 units in parallel may lead to a voltage drop in the cable that will reduce the equipment performance.

6. CARDIOID SUBWOOFER X18WE

The X18WE enables the combination of three or multiple of three subwoofer cabinets in an array to provide exceptional directivity at low frequencies.

High directivity at low frequencies has two main effects on the sound field: firstly, the low frequency level behind the subwoofer cabinets is greatly reduced; secondly, in closed venues the diffuse sound field at low frequencies is reduced so the low frequency reproduction is much more precise.

The typical operating range of a traditional subwoofer tends to be like a monopole, i.e. tends to radiate with the same energy in all directions. This behaviour implies that the control of radiation at low frequencies is very difficult because the wavelengths are very large compared to the size of the source (8.5 m at 40Hz).

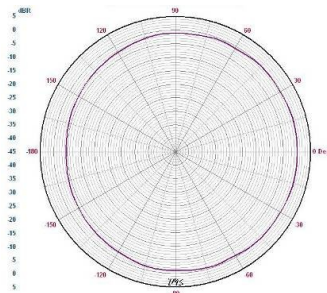


Fig.9. Traditional polar pattern of a subwoofer at 40Hz

To increase the directivity at low frequencies we must transform the omnidirectional performance into a cardioid performance. This can only be achieved by various sources, arranged in a certain position, to which we apply a specific phase, filtering and delay. That is, we need to reproduce two signals with the same frequency and similar amplitude which will have a difference in phase of approximately 180° at a certain point of the sound field. If the phases and delays are well calculated the result is a system in which we cancel the energy of the back and not the one of the front.

This can only be achieved with cabinets that incorporate independent delay units on their DSP, as X18WE.

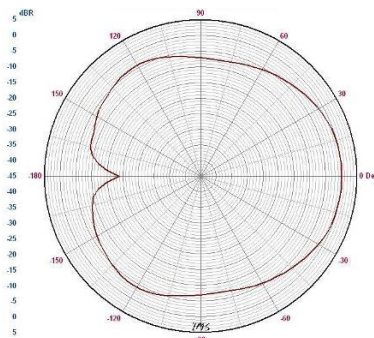


Fig.10. Cardioid pattern

6.1. The CARDIOID preset

The X18WE can generate an uncompromised cardioid behaviour, which means that there is no need for special cabinets, enabling the use of the system's full efficiency with just "one finger".

In its minimum configuration a Cardioid setup consists of a stack of three subwoofer cabinets.

Only one subwoofer is needed to compensate for the energy of the other two radiating to the front. Then, the cabinet facing to the back (to the stage) should be located in the centre of the column.

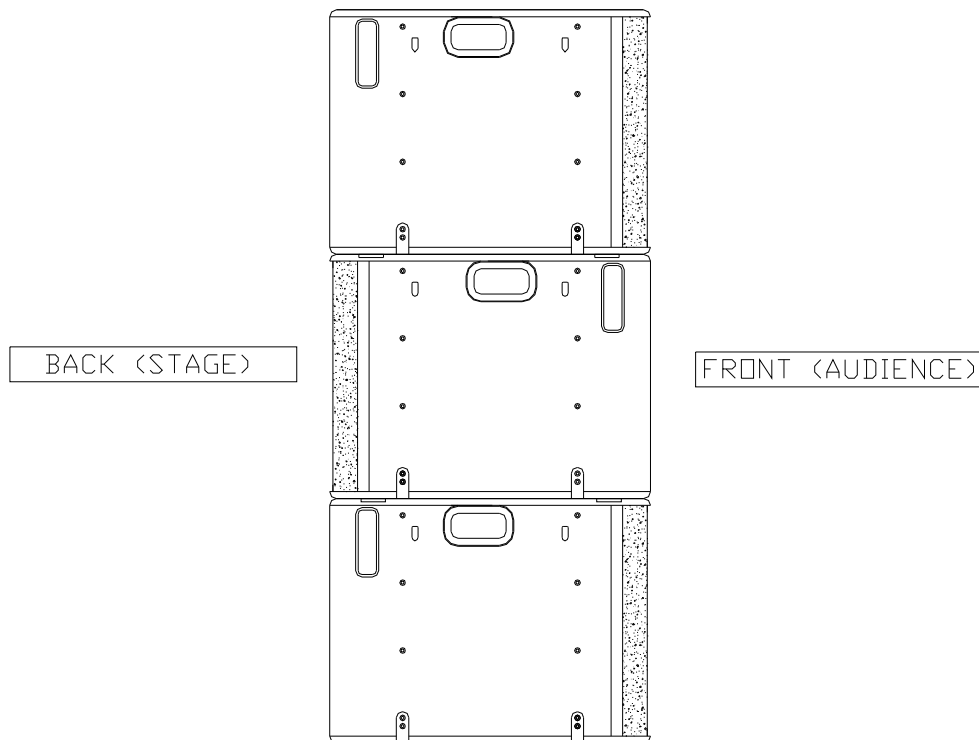


Fig.11. Cardioid configuration for X18WE subwoofer

The front facing subwoofers must be driven with [LPF90+3] or [LPF90+6] preset and the back facing subwoofer must be driven with [CARDIOID] preset.

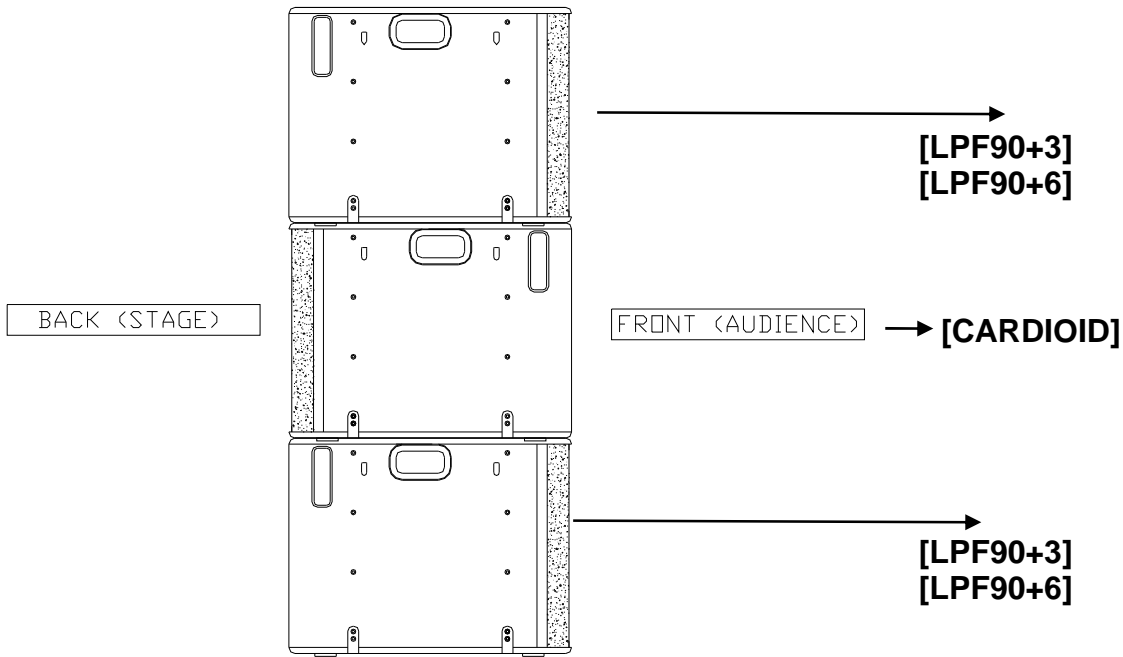


Fig.12. Presets for cardioid configuration

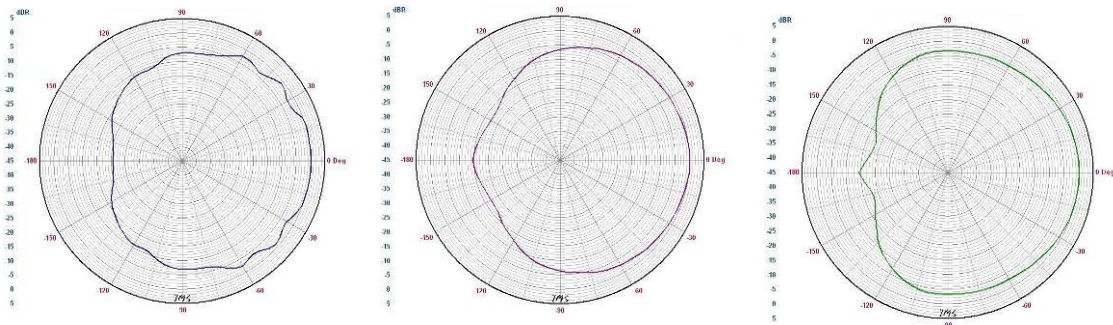


Fig.13. Back energy rejection at 40Hz / 50 Hz / 63Hz

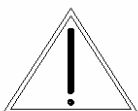
IMPORTANT: If the user wants to adjust its own cardioid preset there is a specific manual to do it. Please, contact the sales department of Master Audio for more information.

7. CONNECTING

7.1. Parallel connection

Connect the signal (mixing desk output) to INPUT on the first unit. Use the LINK output to transfer the INPUT signal to the second unit and thus sequentially for further units. All of the units in this chain must be switched on.

For the mains connection in parallel use the cable with grey Neutrik PowerCon NAC3FCB at one end and the blue Neutrik PowerCon NAC3FCA at the other end.



Do not connect more than 4 X12CE, X15CE or X15LTE units using the AC Stacking output connector.

Do not connect Xcellence series units in parallel using PowerCon- PowerCon without earth.

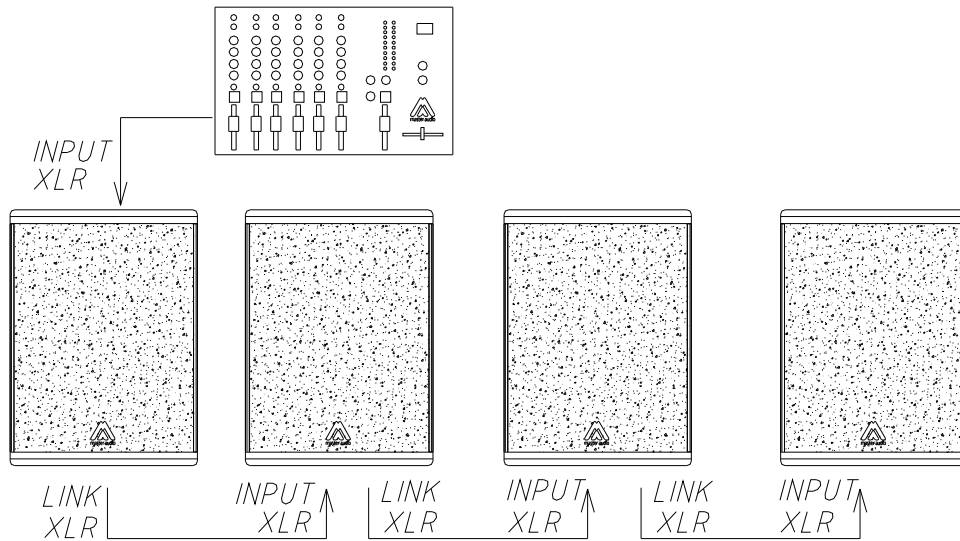


Fig.14. Parallel connection for the XcellenceE series(signal)

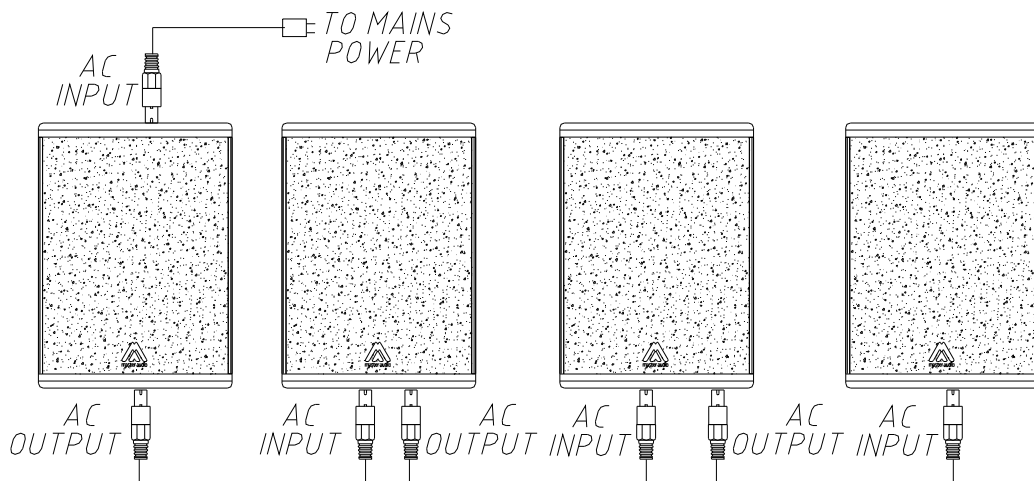


Fig.15. Parallel connection for the XcellenceE series (mains)

7.2. Parallel connection with subwoofer

You can connect the X18WE subwoofer in parallel with X12CE, X15CE or X15LTE cabinets. Please, follow the same parameters as explained in figures 14 and 15. Never connect more than 4 units using the AC Stacking socket.

8. OVERVOLTAGE PROTECTION

The Xcellence series models incorporate an exclusive protection by Master Audio against mains voltage overload and other related problems (lose of neutral, connection between phases, etc)

In the mains input an electronic circuit compares the input voltage with a reference value. When the input exceeds 250 Volts, the circuit reacts by blocking the input tension until it returns to its correct limits (230V +/- 10%).

When the overvoltage LED lights up red, the unit stops running, until the correct voltage is re-established.

Generally the cause of such an anomaly tends to be a neutral voltage drop or incorrect connection of the equipment to 400V supply. Whenever the overvoltage LED lights up, check the tension of the electrical phases: other devices in the sound system are also at risk of electrical fault and severe damage.

9. MOUNTING AND INSTALLATION

Whenever possible, mount the Full Range units in a high position (between 2 and 3 meters above ground), angled towards the audience. If the units are mounted close to the ground the back row listeners will receive low quality sound.

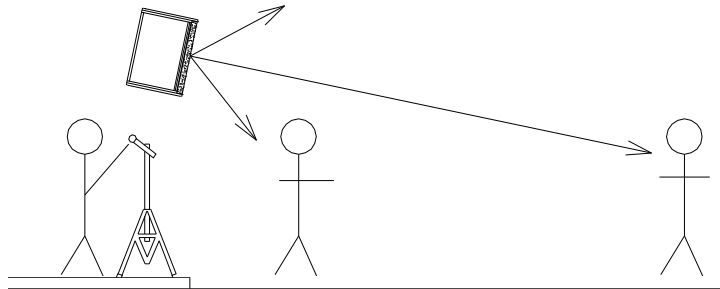


Fig.16. Orientation of Xcellence full range units

The X12CE and X15CE models incorporate a 35mm pole mount socket for standard tripod in the upper and lower sides.

To use the socket, unscrew the four bolts on the central face plate.

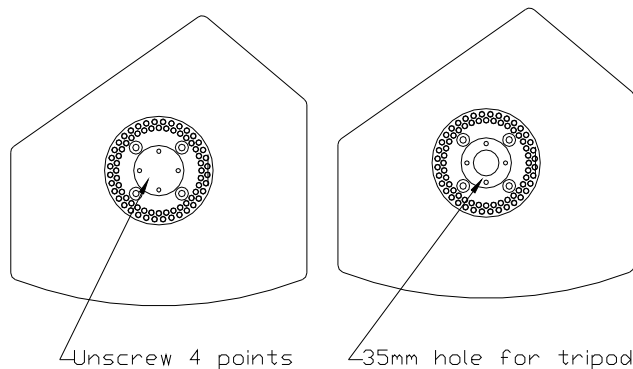


Fig.17. Socket for tripod (X12CE, X15CE)

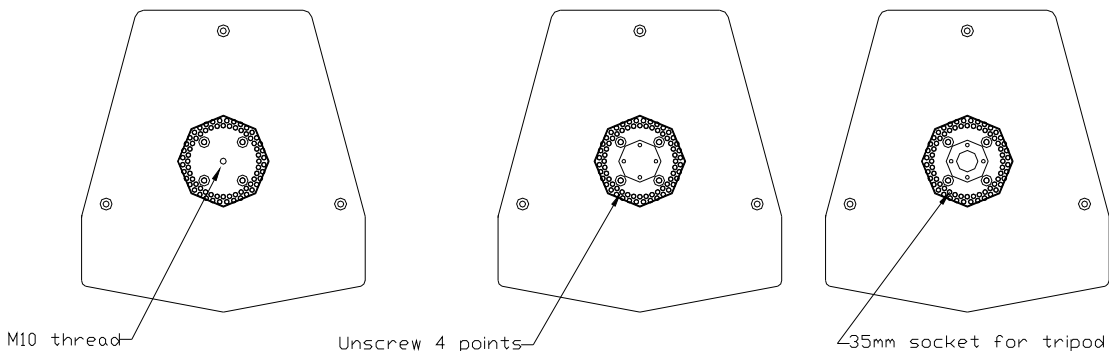


Fig.18. Top side (left) and socket for tripod (right) for X15LTE

Do not use the tripod on sloping surfaces nor mount the cabinets too high to avoid total instability of the system.

The X18WE incorporates a base-plate on its upper side for the attachment of a standard 35mm diameter bar.

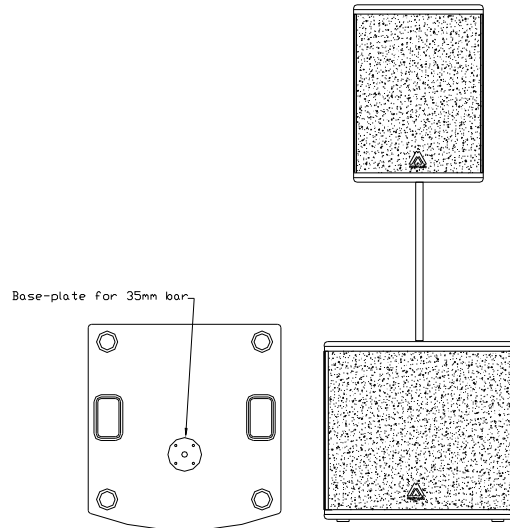


Fig.19. Combination with subwoofer

The wedge shape of X12CE and X15CE units allows for use an onstage monitor without the need of incorporating any other accessory. Remember to use the MONITOR preset in this case.

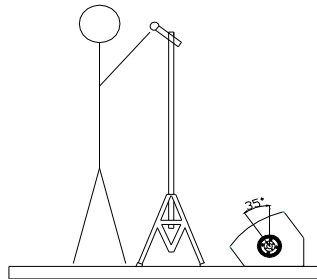


Fig.20. Use as onstage monitor

The brand logo can be turned for use in the horizontal position (X12CE, X15CE).

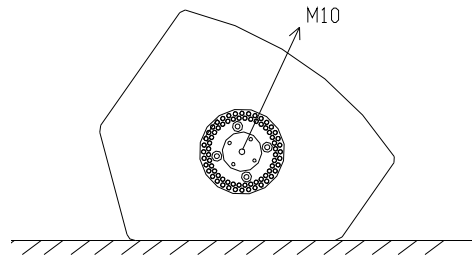
10. MOUNTING ACCESSORIES (X12CE, X15CE)

The UB-X12 is an optional U-bracket accessory for wall (horizontal orientation) and truss mounting (horizontal orientation) of the X12CE.

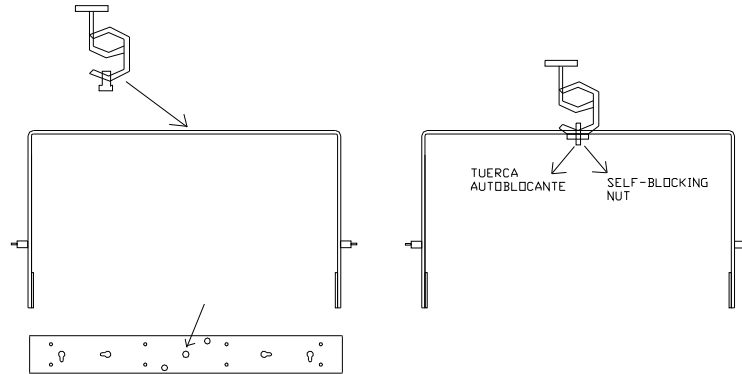
The UB-X15 is an optional U-bracket accessory for wall (horizontal orientation) and truss mounting (horizontal orientation) of the X15CE.

10.1 Truss mounting

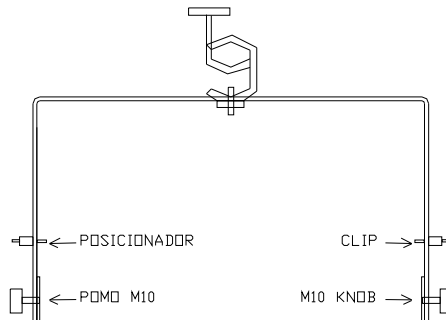
1- Place the box on the floor or in a comfortable working position. The lateral sockets must include the M10 small plates.



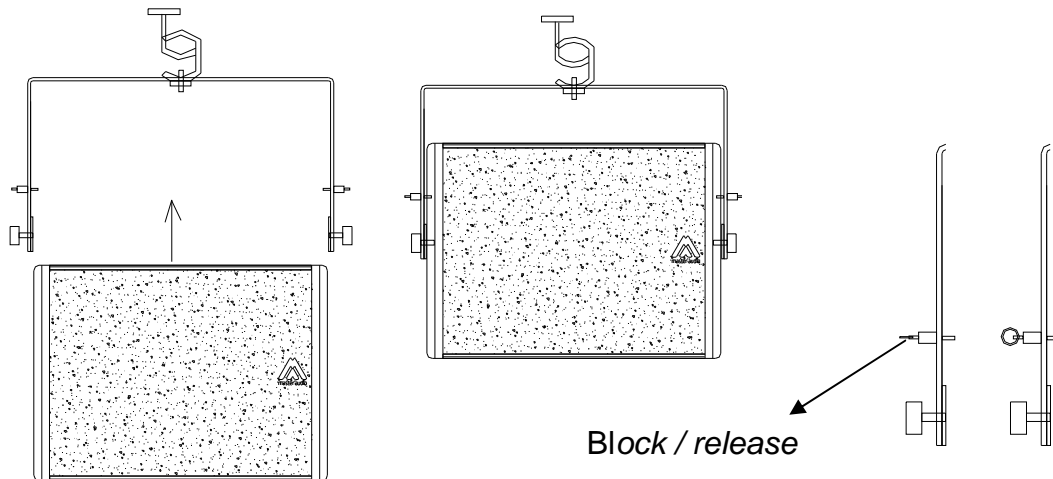
2- Set the optional accessory GT-50 (hook clamp) on the UB-X bracket. Block it with a self-locking nut. Use the central hole (marked with an arrow).



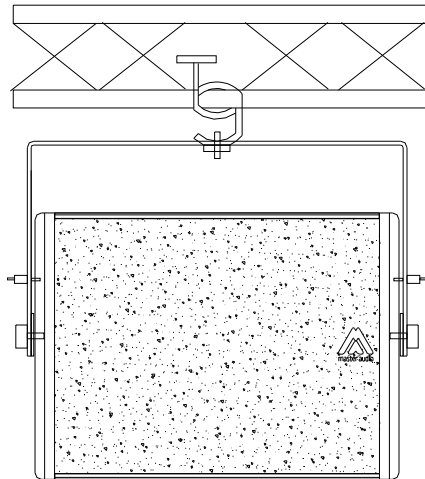
3- Set the M10 knobs on both laterals.



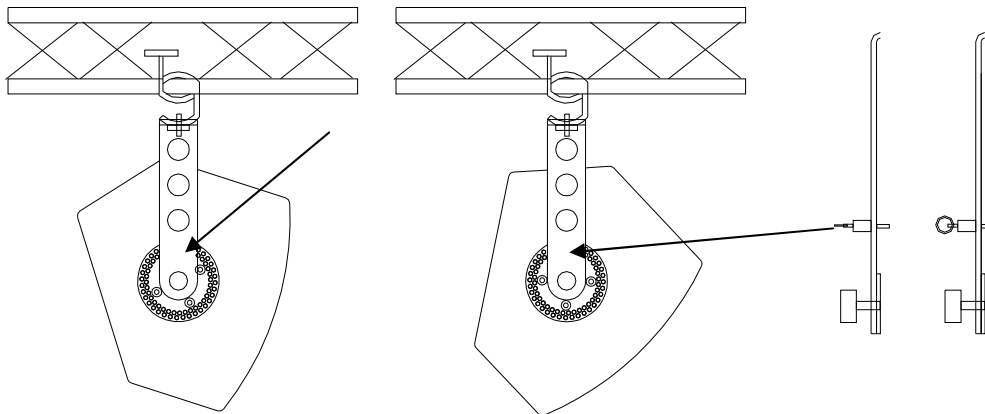
4- Set the UB-X bracket onto X12CE - X15CE cabinet. Block both laterals with the M10 knobs. Put the lateral clips in a random position (later you will adjust the desired angle). Turn the clip's ring to block/release it.



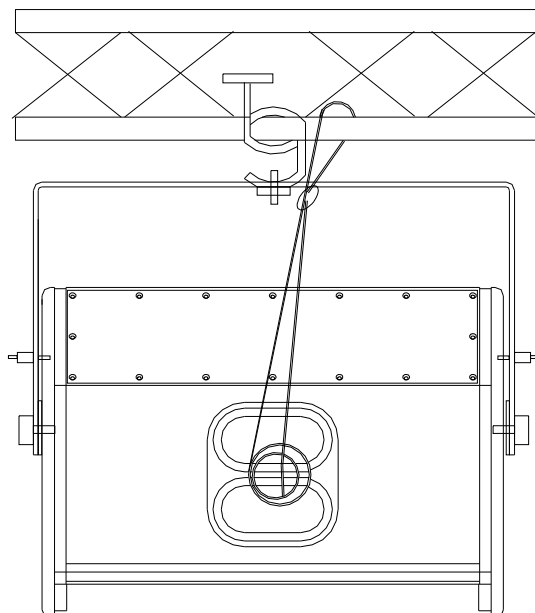
5- Place all the system on the Truss bar. Block the hook clamp.



6- Use the lateral clips to choose the desired tilt angle.

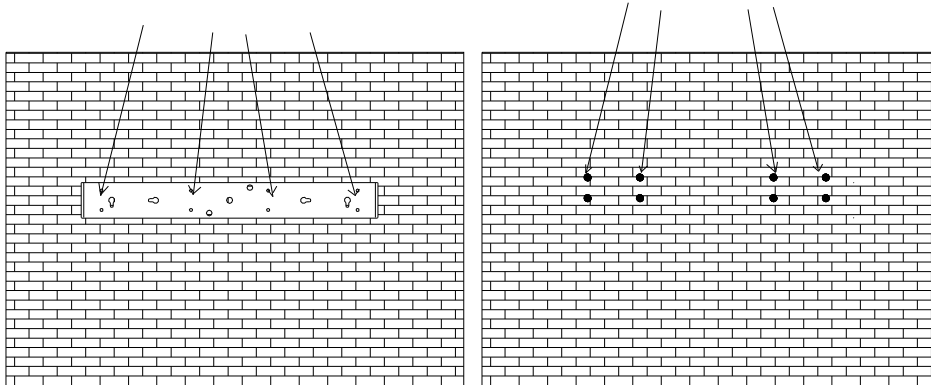


7- You can use the optional safety cable (SC-15X) around the cabinet's handle and the truss bar.

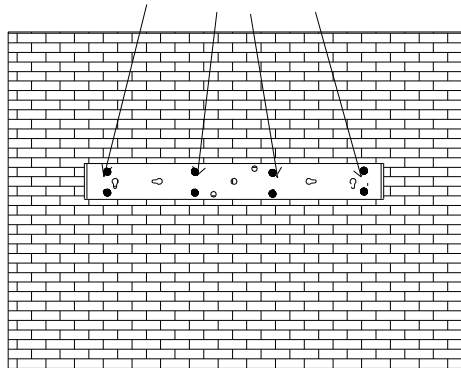


10.2 Wall mounting

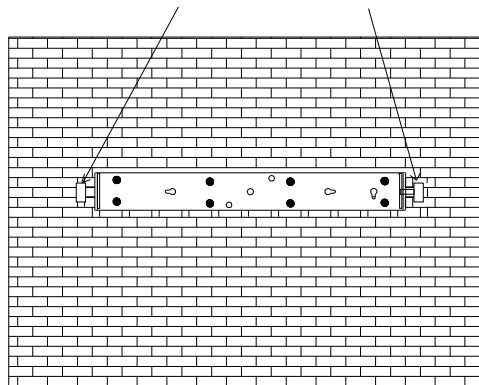
1- Place the UB-X bracket in front of the mounting surface, so you can mark the locations of the mounting holes.



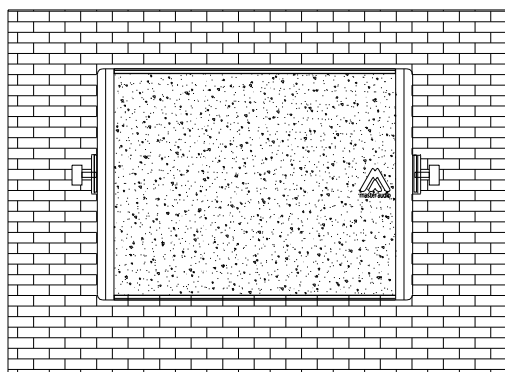
2- Drill some corresponding pilot holes on the wall and fix the bracket with some screws.



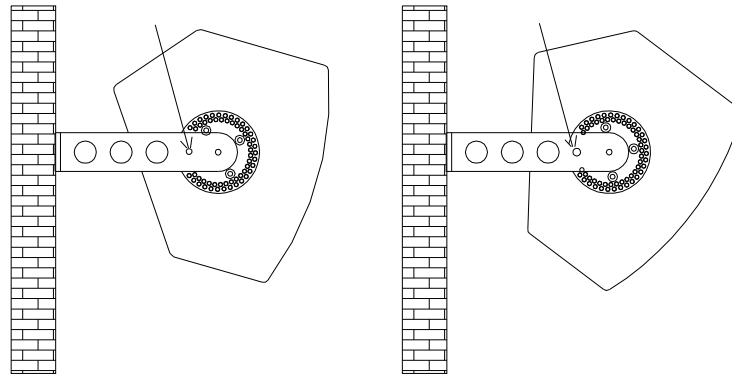
3- Set both M10 knobs on the bracket's laterals.



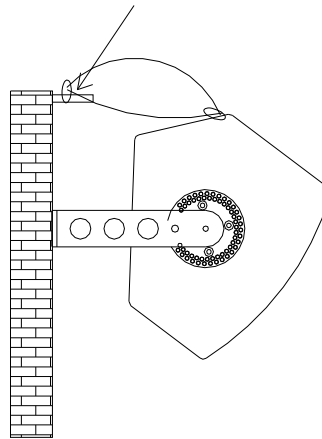
4- Set the cabinet on the bracket and fix it with both M10 knobs.



5- Use the lateral clips to choose the desired tilt angle.



6- You can use the optional safety cable (SC-15X) around the cabinet's handle. In this case, fix the safety cable on a secondary external point.



11. X15LTE FLYING

X15LTE provides M10 flying points. Their correct use will permit the flying in horizontal or vertical position

Vertical Flying

Points "1". Use point "2" to get the desired inclination.

Horizontal Flying

Points "3". Use points 4 to get the desired inclination.

We offer as optional accessory the eyebolt rigging M10 (**ACR M10**).

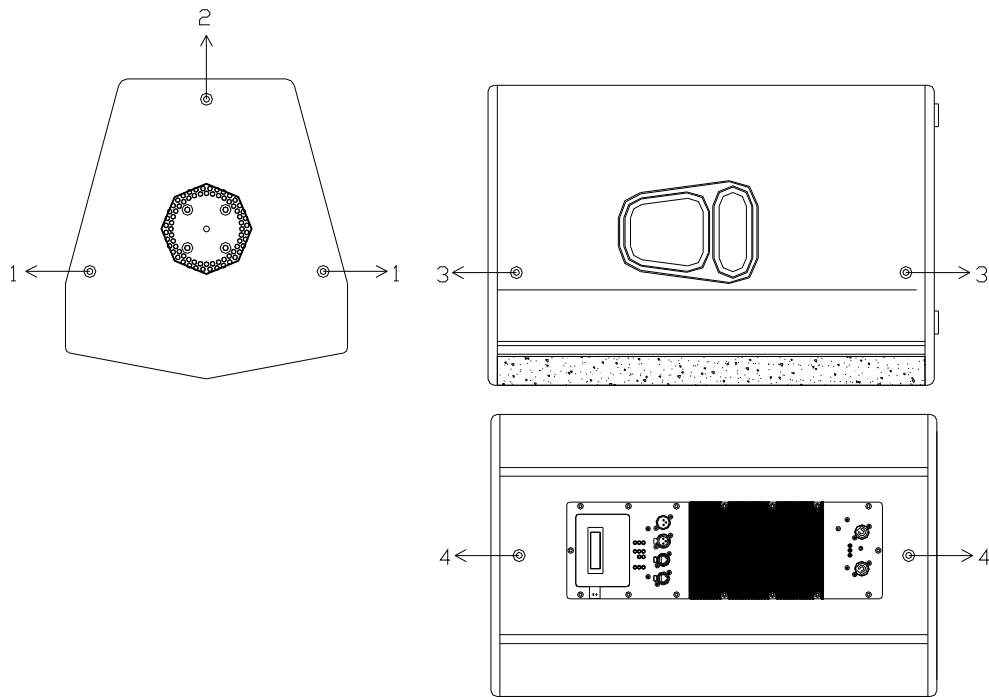


Fig.21. X15LTE flying points

12. TROUBLESHOOTING

No power

- Check the device is connected to mains
- Check mains cable is in good condition.
- The thermal fuse may be activated. The replacement of this fuse must be carried out by specialized personnel as it is an internal component of the amplifier module.

No sound

- Check with the indicators that the signal is being sent from the mixer.
- Check that the signal cables are in good condition and connected at both ends
- The mixer output level must not be at minimum.
- Check that the mixer is not in Mute mode.

Distorted output signal

- The system is being saturated with a very high input signal, frequently caused by the same mixer. Check the output level or mixer gain channels.

Poor bass levels

- Check the polarity on the signal connections between the mixer and cabinets. If any of the Pins (1, 2 or 3) have been inverted at the cable ends, this will cause significant performance and sound quality loss.

Noise and Hum

- Check that all the connections to the active units are in good condition.
- Avoid intertwining between mains supply cables or proximity to transformers or Electromagnetic (EMI) emitting devices.
- Check there is no light intensity regulator in the same AC circuit as the unit. ALWAYS connect the sound and light circuits in different phases.

Overvoltage LED light (RED)

- Check that the mains voltage is within the limits (230+/-10%)

13. TECHNICAL SPECIFICATIONS

	X12CE	X15CE	X15LTE	X18WE
Audio Input				
Sensitivity	+8dBu			+2dBu
Impedance	20k Ω			
Mains Supply				
Type	Universal switching power supply 85-135VAC / 170-265VAC / 45- 65Hz (overvoltage protection >250V)			
Avg. Current Draw (1/3 Full Power)	1.3A		1.3A	1.9A
Frequency response	48Hz-20kHz	44Hz-20kHz	42Hz-19kHz	32Hz-140Hz
Usable bandwidth (-10 dB)				
Maximum output level (1m/continuous)	127 dB SPL		131 dB SPL	133 dB SPL
Amplifier (program)	800 + 200W		1000 + 200W	2400W
Nominal directivity (-6dB)	Axis-symmetrical 80 $^{\circ}$		60 $^{\circ}$ x 50 $^{\circ}$	Omnidirectional
Components				
LF	1 x 12" neodymium woofer (3" voice coil)	1 x 15" neodymium woofer (3" voice coil)	1 x 15" neodymium woofer (3" voice coil)	1 x 18" neodymium woofer (4" voice coil)
HF	1 x neodymium driver, titanium diaphragm (3" voice coil)		1 x neodymium driver, titanium diaphragm (3" voice coil)	-
Cabinet				
Type	Bass-reflex			
Height	560 mm	650 mm	750 mm	540 mm
Width	410 mm	460 mm	470 mm	664 mm
Depth	430 mm	430 mm	500 mm	700 mm
Angulo (monitor)	35 $^{\circ}$ to vertical		-	-
Weight (nett)	22,3 Kg	25,9 Kg	37,9 Kg	46,2 Kg
Connectors	2 x AC PowerCon (input, link) 2 x XLR (input, link) 2x Ethercon RJ45 for Ethernet (connection/link)			
Material	Birch plywood, Steel front grille with grey acoustic cloth			
Finish	Hi-resistance weatherproof Polyurea paint			

ESPAÑOL



WARNING:
To reduce the risk of fire or electric shock do not expose this equipment to rain or moisture



Instrucciones de seguridad

1. Todas las instrucciones de seguridad deben ser leídas antes de utilizar este aparato.
2. El signo de exclamación dentro de un triángulo indica componentes internos cuyo reemplazo puede afectar la seguridad.
3. El símbolo del rayo con la punta de la flecha indica la presencia de voltajes peligrosos no aislados.
4. Este equipo no debe ser expuesto a la lluvia ni a la humedad. No lo use, por ejemplo, cerca de piscinas, fuentes o cualquier lugar donde pueda ser afectado por líquidos.
5. Limpie el aparato sólo con paños secos.
6. No sitúe el equipo en lugares donde se interfiera la ventilación del aparato.
7. No instale el aparato cerca de ninguna fuente de calor, como radiadores, estufas u otros aparatos que emitan calor.
8. Este equipo debe ser reparado por personal cualificado del servicio técnico cuando:
 - A. El cable de red esté dañado, ó
 - B. Algún objeto o liquido haya dañado el aparato; ó
 - C. El equipo no funcione de una manera normal (correcta); ó
 - D. El equipo se haya expuesto a la lluvia; ó
 - E. El chasis esté dañado
9. Desconecte el aparato en caso de tormentas eléctricas o cuando no vaya a emplearlo durante largos períodos de tiempo.
10. No cuelgue nunca el equipo por el asa.
11. Use sólo accesorios recomendados por el fabricante.

1. INTRODUCCIÓN

1.1. Generalidades

Master Audio le agradece la confianza depositada en nuestros sistemas de altavoces de la serie **Xcellence**.

La serie Xcellence combina las ventajas de un sistema auto amplificado y la flexibilidad de control de los recintos con DSP incorporado (procesamiento digital de señal).

La experiencia de más de 40 años en el diseño de cajas acústicas y amplificadores y la utilización de la más alta tecnología y componentes convergen en un producto idóneo para multitud de aplicaciones, desde refuerzo de sonido en teatros, clubs o cadenas de televisión hasta iglesias, eventos corporativos o salas de conciertos.

Con la tecnología coaxial en los modelos X12CE y X15CE se consigue un sistema distribuido de sonido totalmente coherente y en fase (como una fuente puntual). Esto es debido a que la directividad de los transductores de altas y bajas frecuencias se acopla perfectamente a la frecuencia de corte de los filtros. Esto se traduce en transiciones muy suaves entre la zona de graves y agudos y en la desaparición de lóbulos secundarios.

Le sugerimos lea atentamente las indicaciones que a continuación exponemos, confiando en que le serán de gran utilidad para obtener sus mejores resultados.

1.2. Características y presentación

X12CE y X15CE

- Recinto autoamplificado.
- Amplificador de 800W para la vía grave-media.
- Amplificador de 200W para la vía aguda.
- Convertidores AD/DA de 24 bits con rango dinámico de 112dB, frecuencia de muestreo de 96kHz.
- Controles DSP (ecualizadores paramétricos, delay, volumen, polaridad y limitadores).
- Autodiagnóstico del sistema: potencia de salida, temperatura, clipping.
- Conectividad vía Ethernet.
- Protección "overvoltage" (>250V-400V).
- Altavoz coaxial de 2 vías con simetría de 80º; incluye woofer de 12" de neodimio (X12CE) y de 15" de neodimio (X15CE) y motor de compresión de neodimio con diafragma de titanio de 3".
- Recinto fabricado con tablero multicapa de abedul.
- Acabado en pintura negra Polyurea de alta resistencia.
- Reja frontal de acero con tela gris acústicamente transparente.

X15LTE

- Recinto autoamplificado.
- Amplificador de 1000W para la vía grave-media.
- Amplificador de 200W para la vía aguda.

- Convertidores AD/DA de 24 bits con rango dinámico de 112dB, frecuencia de muestreo de 96kHz.
- Controles DSP (ecualizadores paramétricos, delay, volumen, polaridad y limitadores).
- Autodiagnóstico del sistema: potencia de salida, temperatura, clipping.
- Conectividad vía Ethernet.
- Protección "overvoltage" (>250V-400V).
- Altavoz de 15" de neodimio (bobina de 4").
- Motor de compresión de neodimio con diafragma de titanio de 3".
- Difusor rotativo de 60° x 50°.
- Recinto fabricado con tablero multicapa de abedul.
- Acabado en pintura negra Polyurea de alta resistencia.
- Reja frontal de acero con tela gris acústicamente transparente.

X18WE Subwoofer

- Recinto autoamplificado.
- Amplificador de 2400W.
- Convertidores AD/DA de 24 bits con rango dinámico de 112dB, frecuencia de muestreo de 96kHz.
- Controles DSP (ecualizadores paramétricos, delay, volumen, polaridad y limitador).
- Autodiagnóstico del sistema: potencia de salida, temperatura, clipping.
- Conectividad vía Ethernet.
- Protección "overvoltage" (>250V-400V).
- Altavoz de 18" de neodimio (bobina de 4") y anillos de demodulación para mejorar la distorsión y la respuesta transitoria.
- Recinto fabricado con tablero multicapa de abedul.
- Acabado en pintura negra Polyurea de alta resistencia.
- Reja frontal de acero con tela gris acústicamente transparente.

2. CARACTERÍSTICAS X12CE y X15CE

Los recintos X12CE y X15CE, coaxiales ambos, son ideales para multitud de aplicaciones. Incorporan bi-amplificación de 800 W para el woofer de graves-medios, 200 W para el motor de medios-agudos y control digital de señal a través de DSP. Los presets de fábrica FACTORY, NEARFIELD, SPEECH, MONITOR, XOVER lo convierten en sistemas fáciles, flexibles y muy cómodos de operar.

A nivel electroacústico, su transductor coaxial aporta una respuesta totalmente simétrica y libre de lóbulos secundarios. Incluye woofer de 12" o 15" con bobina de 3" y motor de compresión con bobina de 3" y cúpula de titanio.

El resultado es un sonido extremadamente limpio y de alta calidad

Gracias a su forma en cuña (35°) es especialmente recomendable para aplicaciones de monitor de escenario, obteniendo una respuesta y cobertura muy homogéneas y muy apreciadas por los profesionales del directo.

Las caras superior e inferior incorporan vasos para trípode estándar de 35mm que, a su vez, son la base para el soporte de instalación UBX (ver accesorios).

2.1. Descripción técnica general

La X12CE y X15CE son sistemas de altavoces autoamplificados con control por DSP configurable por el usuario, con transductores de radiación directa coaxial y caja acústica bass reflex. Como sistema full range su respuesta en frecuencia es de 58Hz-18kHz (+/- 3 dB) con una banda útil entre 50Hz-20kHz (-10dB) para la X-12CE y 53Hz-18kHz (+/- 3 dB) con una banda útil entre 45Hz-20kHz (-10dB) para la X-15CE.

Su amplificación es de 1000 W continuos (800W + 200W), con protección térmica, protección contra cortocircuito a la salida, limitadores de máxima potencia para cada vía y protección exclusiva contra sobretensiones (“overvoltage”). Los 5 presets que incluye el DSP pueden ser seleccionados a través del teclado del panel de control de la parte trasera del recinto acústico o vía ordenador con conexión Ethernet. El preset FACTORY significa respuesta máximamente plana cuando el recinto se encuentra bajo condiciones de campo libre (*freefield conditions*); NEARFIELD contiene -3dB en medias frecuencias y ha sido configurado para escuchas a moderado volumen y en campo cercano (*loudness*); SPEECH contiene -9dB en graves y -6dB en agudos y es útil para utilización en aplicaciones de palabra (con micrófono); MONITOR presenta respuesta plana bajo condiciones de “half space” (*en suelo*); XOVER contiene filtro paso alto a 100Hz para utilización con refuerzo de bajas frecuencias (*subwoofer*).

La conexión de señales se realiza mediante conector XLR balanceado con Link para esclava y la de red es a través de conector PowerCon a 230V.

Construidos en tablero multicapa de abedul de alta resistencia a las vibraciones y humedad con acabado en pintura negra Polyurea de alta resistencia. La parte frontal está protegida por una reja de acero de 1.5mm recubierta por tela gris acústicamente transparente.

Formato en cuña. Cuando se utilizan en formato monitor de escenario, el baffle frontal está orientado a 35° con respecto a la vertical.

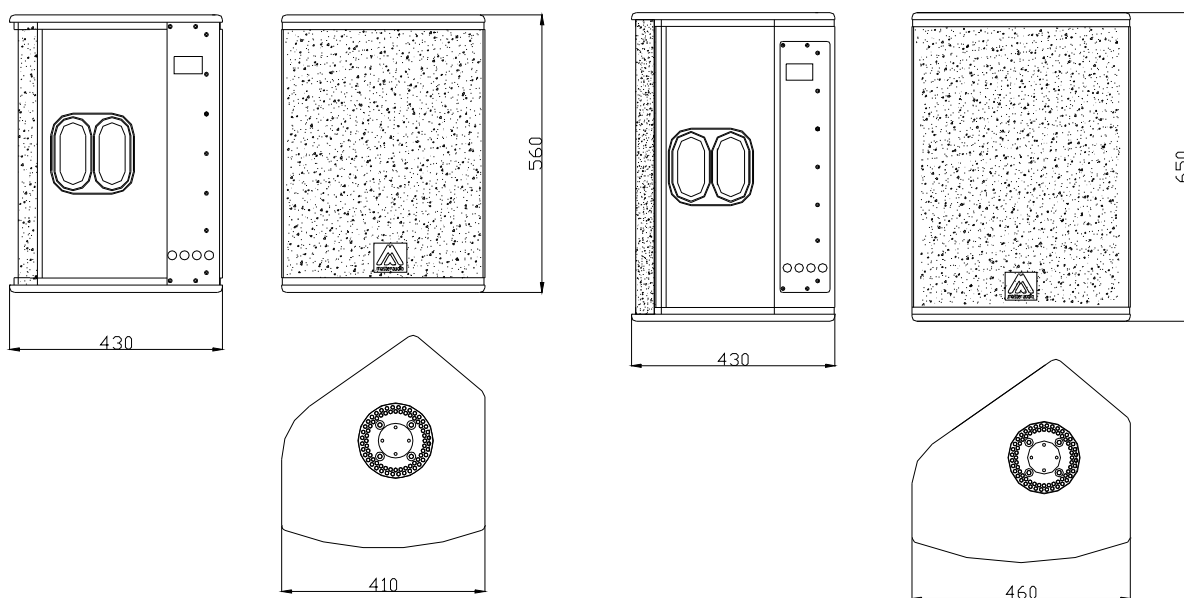


Fig.1. X12CE y X15CE dimensiones externas

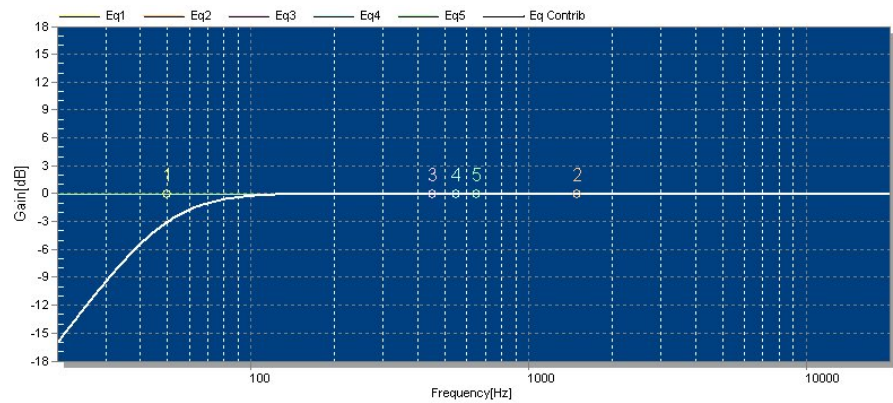
2.2. Presets

Se incluyen cinco presets de fábrica, útiles para varios tipos de aplicación. Aparte, el DSP interno puede almacenar hasta 23 presets adicionales, configurables en función de los requerimientos del usuario.

P1-FACTORY

Respuesta plana

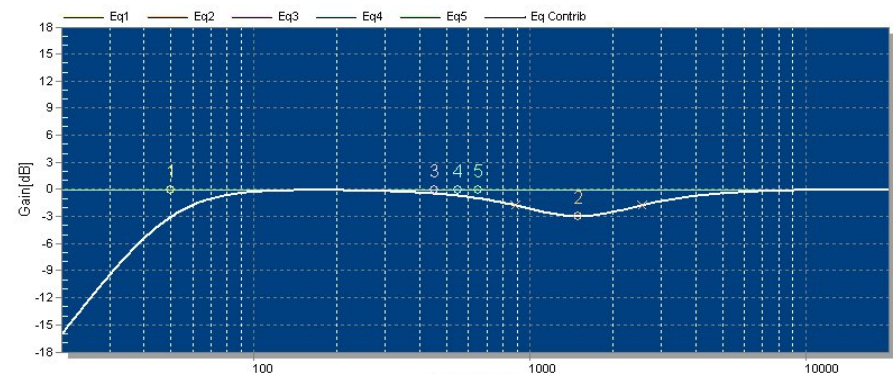
- Preset estándar



P2-NEARFIELD

-3dB mid

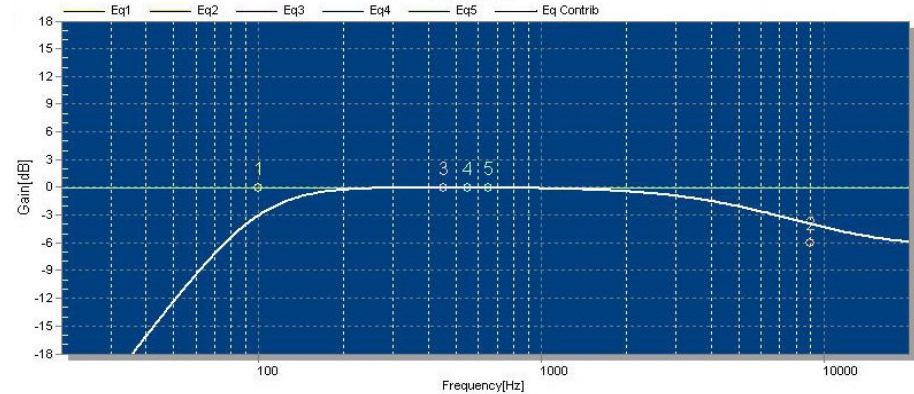
- Recintos pequeños
- Nivel medio
- Distancia corta -media



P3-SPEECH

-9dB Low
-6dB High

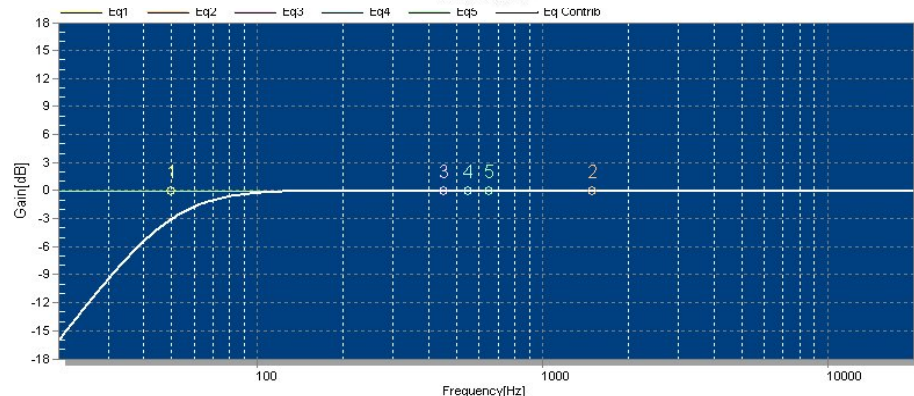
- Uso micrófono
- No importa nivel ni distancia



P4-MONITOR

Respuesta plana

- Uso en suelo



P5-XOVER

HPF 100Hz

- Uso con subwoofer

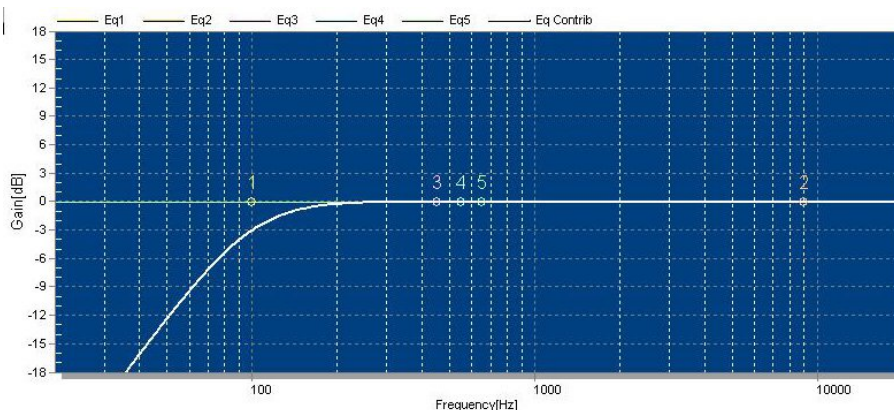


Fig.2. PRESETS para X12CE y X15CE

3. CARACTERÍSTICAS X15LTE

Los recintos X15LTE son ideales para multitud de aplicaciones. Incorporan bi-amplificación de 1000 W para el woofer de graves-medios, 200 W para el motor de medios-agudos y control digital de señal a través de DSP. De fábrica se incluyen 5 presets FACTORY, NEARFIELD, LOUDNESS, SPEECH, XOVER que lo convierten en un sistema fácil, flexible y muy cómodo de operar.

El resultado es un sonido extremadamente limpio y de alta calidad.

La cara inferior incorpora base para trípode estándar de 35mm y la cara superior incorpora base para rosca de M10.

3.1. Descripción técnica general

La X15LTE es un sistema de altavoces autoamplificado con control por DSP configurable por el usuario, con transductores de radiación directa y caja acústica bass reflex. Como sistema full range su respuesta en frecuencia es de 50Hz-18kHz (+/- 3 dB) con una banda útil entre 42Hz-19kHz (-10dB).

Su amplificación es de 1200W continuos (1000W + 200W), con protección térmica, protección contra cortocircuito a la salida, limitadores de máxima potencia para cada vía y protección exclusiva contra sobretensiones (“overvoltage”). Los 5 presets que incluye el DSP pueden ser seleccionados a través del teclado del panel de control de la parte trasera del recinto acústico o vía ordenador con conexión Ethernet. El preset FACTORY significa respuesta máximamente plana cuando el recinto se encuentra bajo condiciones de campo libre (*freefield conditions*); NEARFIELD contiene -3dB en medias frecuencias y ha sido configurado para escuchas a moderado volumen y en campo cercano; LOUDNESS contiene -6dB en medias frecuencias y ha sido configurado para escuchas a moderado volumen y en campo cercano, con corrección de medios más pronunciada que en Nearfield; SPEECH contiene -9dB en graves y -6dB en agudos y es útil para utilización en aplicaciones de palabra (con micrófono); XOVER contiene filtro paso alto a 100Hz para utilización con refuerzo de bajas frecuencias (*subwoofer*).

La conexión de señales se realiza mediante conector XLR balanceado con Link para esclava y la de red es a través de conector PowerCon a 230V.

Construidos en tablero multicapa de abedul de alta resistencia a las vibraciones y humedad con acabado en pintura negra Polyurea de alta resistencia. La parte frontal está protegida por una reja de acero de 1.5mm recubierta por tela gris acústicamente transparente.

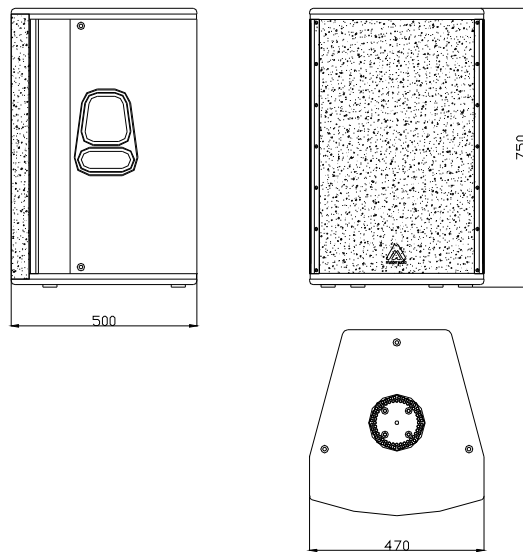


Fig.3. X15LTE dimensiones externas

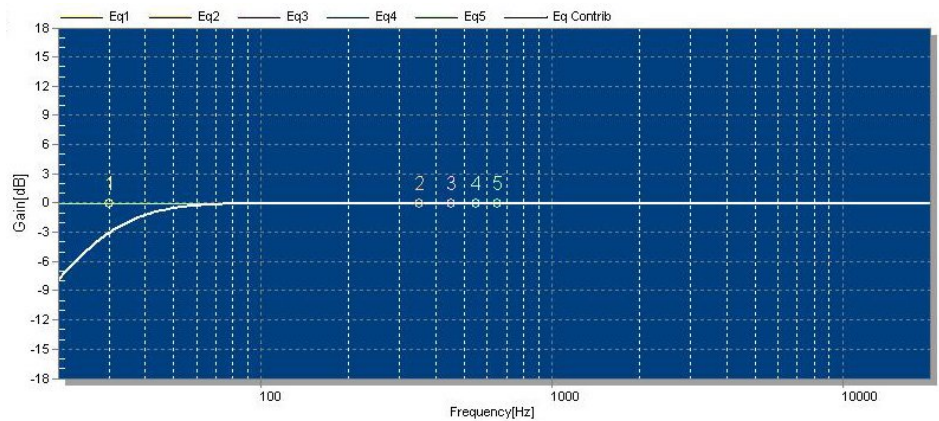
3.2. Presets

Se incluyen cinco presets de fábrica, útiles para varios tipos de aplicación. Aparte, el DSP interno puede almacenar hasta 23 presets adicionales, configurables en función de los requerimientos del usuario.

P1-FACTORY

Respuesta plana

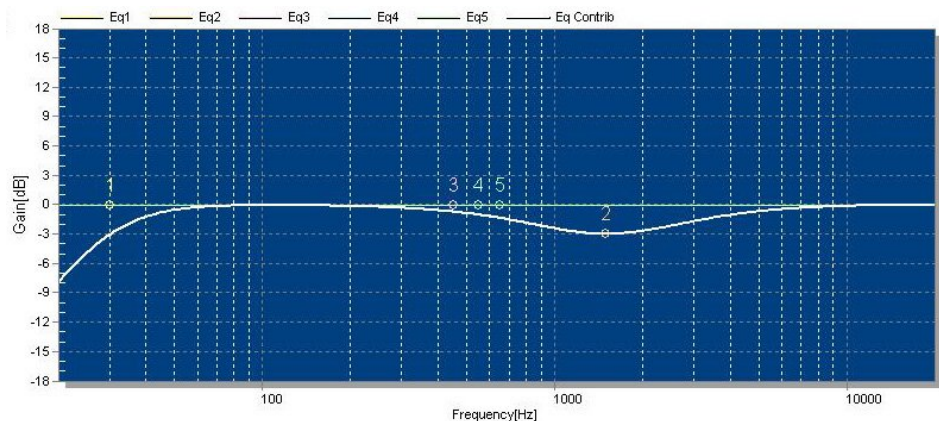
- Preset estándar



P2-NEARFIELD

-3dB mid

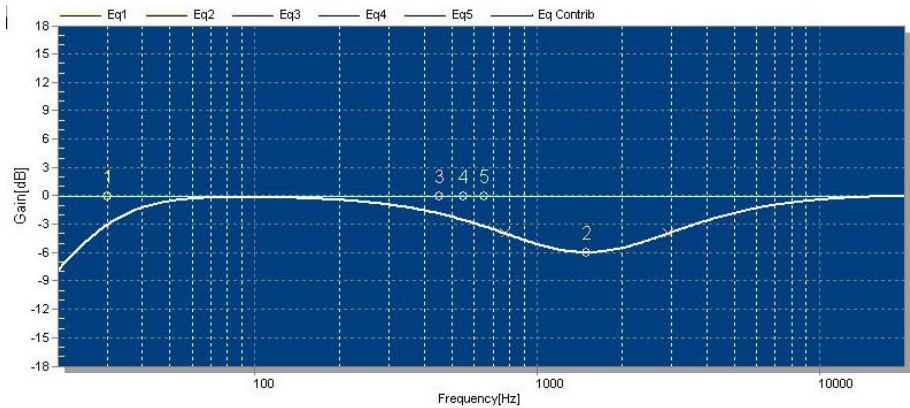
- Recintos pequeños
- Nivel medio
- Distancia corta -media



P3-LOUDNESS

-6dB mid

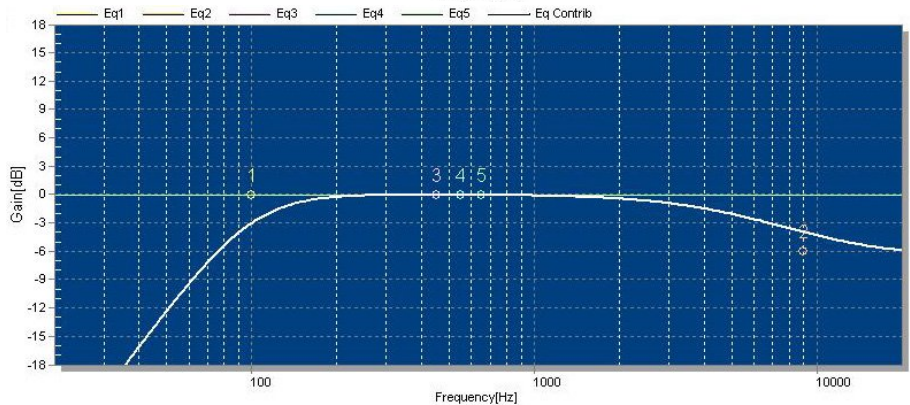
- Recintos pequeños
- Nivel medio
- Distancia corta -media
- Más corrección de medios



P4-SPEECH

-6dB low
-6dB high

- Uso micrófono
- No importa nivel ni distancia



P5-XOVER

HPF 100Hz

- Uso con subwoofer

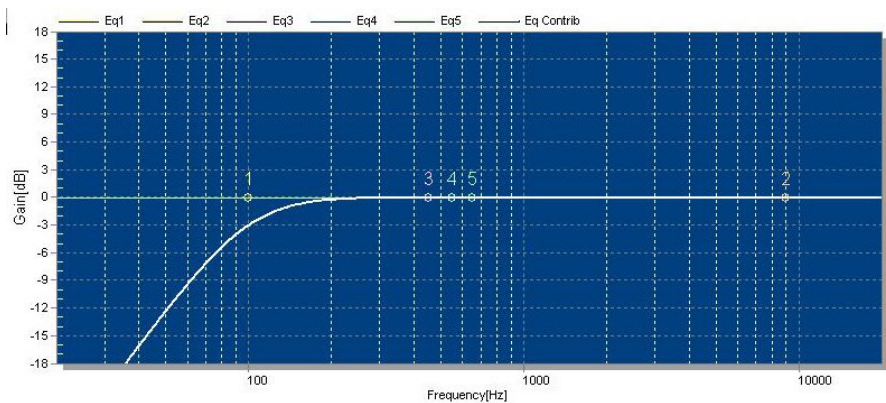


Fig.4. PRESETS para X15LTE

4. CARACTERÍSTICAS X18WE

El recinto X18WE es ideal para refuerzo de bajas frecuencias en general y especialmente para los modelos X12CE, X15CE y X15LTE. Incluye amplificación de 2400W para el woofer y control digital de señal a través de DSP. Los presets incluidos de fábrica (LPF90+3, LPF90+6, LPF110+3, LPF110+6, LPF130+3, LPF130+6, CARDIOID) lo convierten en un sistema fácil, flexible y muy cómodo de operar.

El woofer de 18" de neodimio utilizado, gracias a su exclusivo diseño magnético, combina excelente respuesta en bajas frecuencias, elevado rendimiento y baja distorsión. Estas características son debidas principalmente a la presencia de anillos de demodulación que reducen drásticamente la intermodulación y la distorsión de tercer orden y mejoran considerablemente la respuesta transitoria, con una excelente disipación del calor debido a la posición externa del conjunto magnético.

El resultado es un sonido profundo y de alta calidad perfectamente solapado con las unidades Full-Range según el preset que el usuario escoja o confeccione.

La cara superior incorpora base para barra estándar de 35mm.

4.1. Descripción técnica

El X18WE es un recinto autoamplificado con control por DSP, con transductor de radiación directa y caja acústica bass reflex. Como sistema de refuerzo de graves su respuesta en frecuencia es de 35Hz-130Hz (+/- 3 dB) con una banda útil entre 30Hz-140Hz (-10dB).

Contiene amplificación de 2000 W continuos, con protección térmica, protección contra cortocircuito a la salida, limitador de máxima potencia y protección contra sobretensiones (“overvoltage”). El DSP incluye 7 presets que pueden ser seleccionados a través del teclado del panel de control de la parte trasera del recinto acústico o vía ordenador con conexión Ethernet. El preset LPF90+3 significa filtro paso-bajo a 90Hz con boost de +3dB a 50Hz; el preset LPF90+6 significa filtro paso-bajo a 90Hz con boost de +6dB a 50Hz; el preset LPF110+3 significa filtro paso-bajo a 110Hz con boost de +3dB a 50Hz; el preset LPF110+6 significa filtro paso-bajo a 110Hz con boost de +6dB a 50Hz; el preset LPF130+3 significa filtro paso-bajo a 130Hz con boost de +3dB a 50Hz; el preset LPF130+6 significa filtro paso-bajo a 130Hz con boost de +6dB a 50Hz; CARDIOID significa patrón polar cardioide en combinación con otros dos subwoofers adicionales X18WE.

Al aumentar la frecuencia del filtro paso-bajo obtenemos más sensación de “pegada” pero el sonido pierde nitidez. Es decisión del usuario la utilización del preset más adecuado a su aplicación.

La conexión del X18WE se realiza mediante conector XLR balanceado. La conexión a red es a través de PowerCon a 230V.

Construido en tablero multicapa de abedul de alta resistencia a las vibraciones y humedad. Acabado en pintura negra Polyurea de alta resistencia. La parte frontal está protegida por una reja de acero de 1.5mm recubierta por tela gris acústicamente transparente.

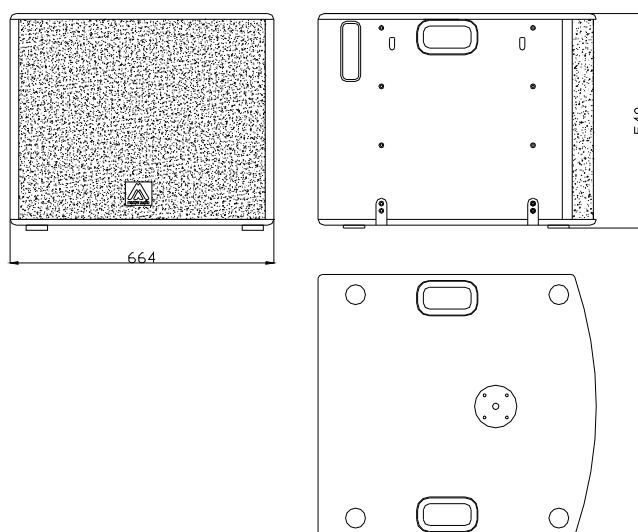


Fig.5. X18WE external dimensions

4.2. Presets

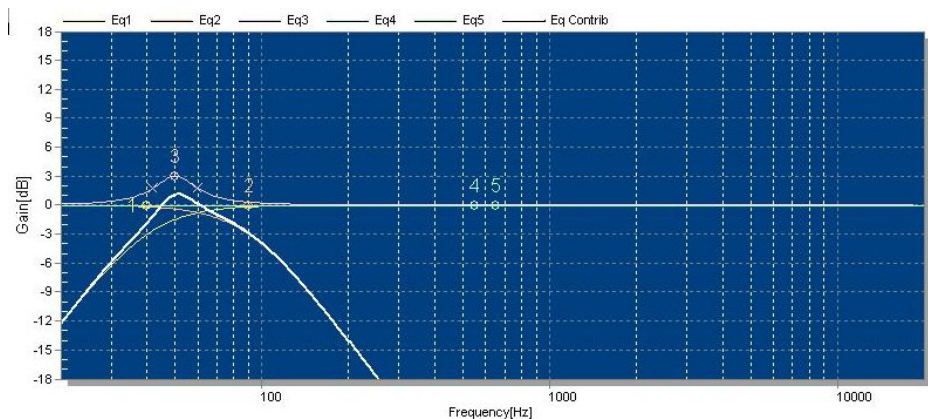
El X18WE incluye siete presets de fábrica, útiles para varios tipos de aplicación. Aparte, el DSP interno puede almacenar hasta 23 presets adicionales, configurables en función de los requerimientos del usuario.

ATENCIÓN: Cuando el X18WE se utiliza con los recintos X12CE, X15CE o X15LTE en preset XOVER, el X18WE debe operar en polaridad positiva.

Cuando el X18WE se utiliza con los recintos X12CE, X15CE o X15LTE en preset FACTORY, NEARFIELD, LOUDNESS, SPEECH o MONITOR, el X18WE debe operar en polaridad negativa.

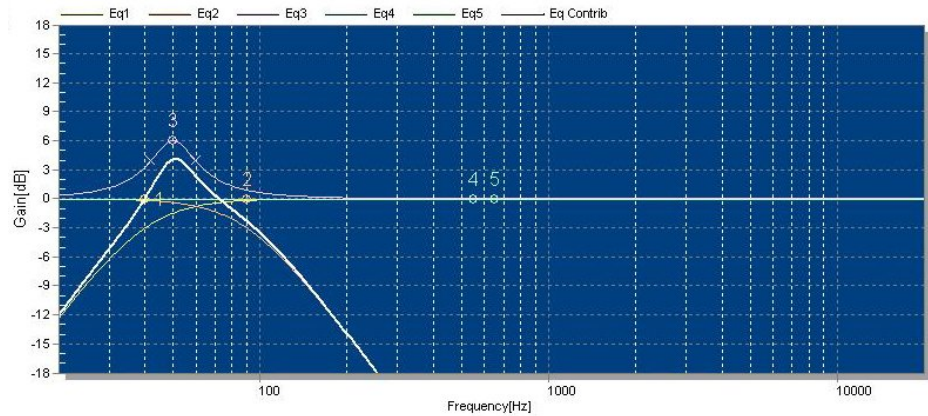
P1-LPF90+3

Low pass filter
a 90Hz
con +3dB boost
a 50Hz



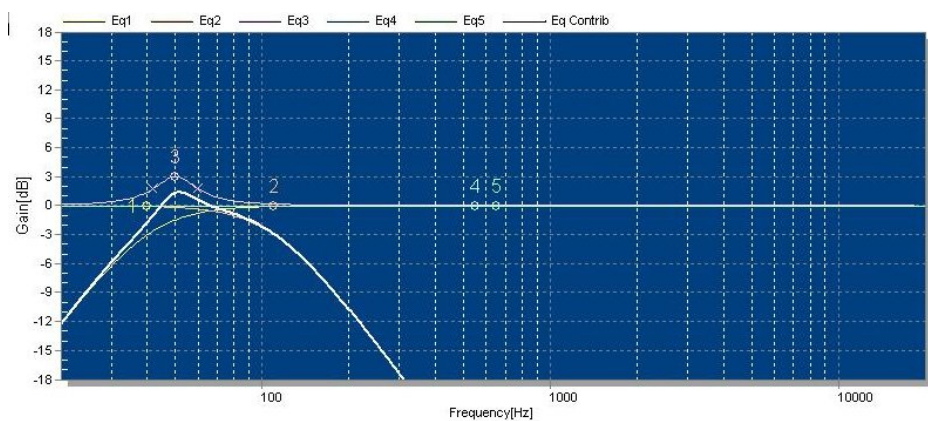
P2-LPF90+6

Low pass filter
a 90Hz con +6dB
boost a 50Hz



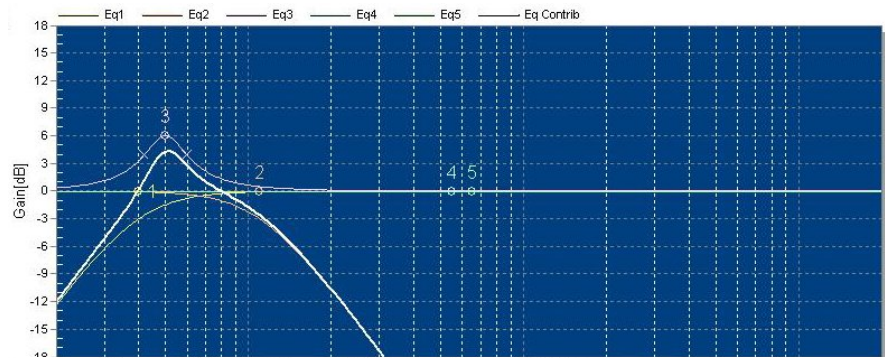
P3-LPF110+3

Low pass filter
a 110Hz con +3dB
boost a 50Hz



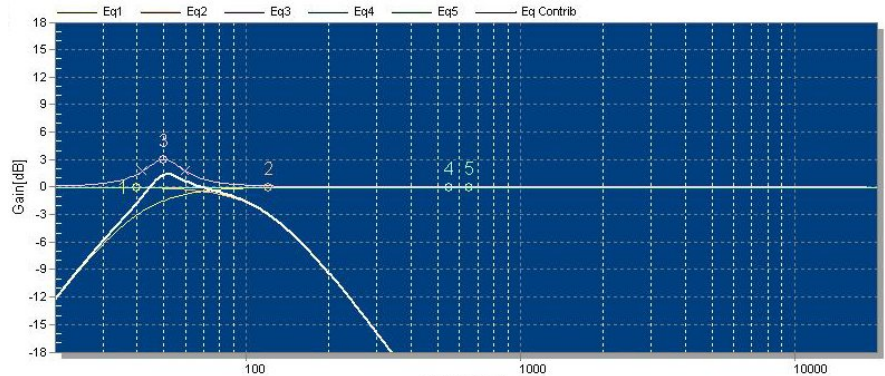
P4-LPF110+6

Low pass filter
a 110Hz con +6dB
boost a 50Hz



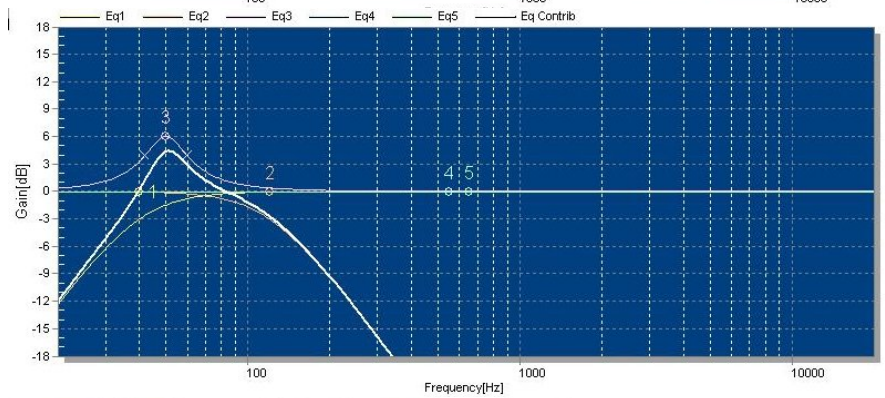
P5-LPF130+3

Low pass filter
a 130Hz con +3dB
boost a 50Hz



P6-LPF130+6

Low pass filter
a 130Hz con +6dB
boost a 50Hz



P7-CARDIOID

(Patrón polar
Cardioide, delay e
Inversion de fase)

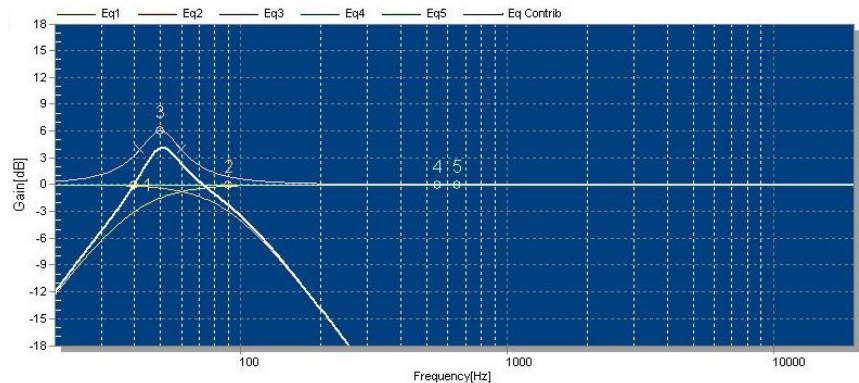


Fig.6. X18WE PRESETS

5. PANEL CONTROL Y CONEXIONES

El panel de control de la X12CE, X15CE y X15LTE contiene los siguientes elementos:

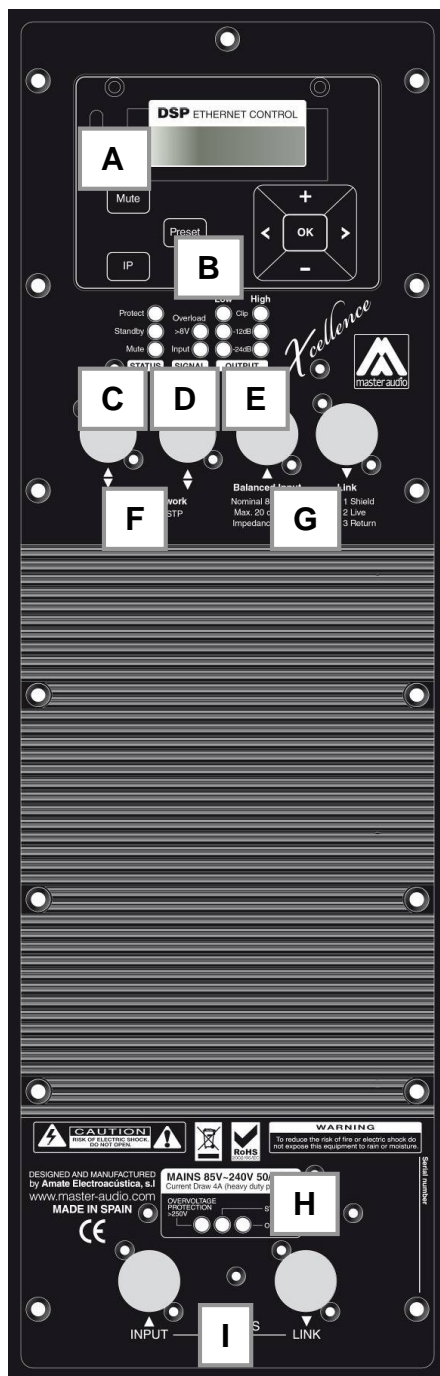


Fig.7. Panel control y conexiones de X12CE, X15CE y X15LTE

A) LCD: Muestra la información básica sobre el status del DSP.

B) KEYPAD: Permite al usuario realizar las operaciones básicas del DSP, tales como asignar la dirección IP, seleccionar Presets, etc.

C) STATUS LEDs: Indican la situación del sistema:

- **Protect:** (Rojo) El amplificador detecta un error en el sistema. Si el led está constantemente encendido, incluso después de resetear el aparato, por favor contacte con el servicio técnico.
- **Standby:** (Naranja) Este led se enciende cuando el equipo está trabajando en modo de consumo de potencia bajo. Este modo sólo puede programarse a través de una conexión con PC.

- **Mute:** (Naranja) El sistema está muteado (los amplificadores no trabajan). El sistema puede ser muteado a través de una conexión con PC o a través del teclado (KeyPad).

IMPORTANTE: Cuando el amplificador está en MUTE, el led PROTECT se encenderá para indicar que el amplificador está deshabilitado. Así mismo, cuando el sistema se recupere del modo STANDBY, el led PROTECT se encenderá durante unos segundos. Bajo estas circunstancias el led PROTECT está indicando que el amplificador está deshabilitado, pero no que está dañado (error del sistema).

D) SIGNAL INPUT LEDS: Monitorizan la señal que llega al módulo de entrada.

- **Input:** La señal está presente en la entrada. El nivel de entrada nominal es de +8dBu (2Vrms).
- **>8 Overload:** La señal de entrada excede +14dBu (4Vrms), por lo tanto será comprimida. Evite que este led esté constantemente parpadeando; de esta manera se preservará el rango dinámico de la señal de audio.

E) OUTPUT LEDS: Muestran el nivel de salida del amplificador, tanto para el canal Low como para el canal High.

- **-24dB:** El amplificador está dando potencia de salida a un nivel -24dB con respecto a la máxima potencia
- **-12dB:** El amplificador está dando potencia de salida a un nivel -12dB con respecto a la máxima potencia
- **Clip:** El amplificador está dando su máxima potencia de salida

El panel de conexiones está formado por las siguientes partes:

F) NETWORK: Conexión a ordenador a través de protocolo Ethernet. Dos conectores de 8 pins RJ45 / EtherCon® con switch interno permiten la conexión en paralelo de varias unidades. Por favor, lea el manual de Instalación rápida de conexión Ethernet para obtener más información sobre la conexión remota.

G) BALANCED INPUT/LINK:

Conector hembra XLR-3 de señal balanceada para señal de entrada.

Conector macho XLR-3 para conexión en paralelo de varias cajas con la misma señal de entrada.

IMPORTANTE: Por favor use siempre cable de micrófono balanceado con las siguientes conexiones:

1= Shield (Ground) 2= Live (+) 3= Return (-)

H) AC INPUT/OVERVOLTAGE PROTECTION: Estos leds muestran el status de la señal de alimentación AC.

- **ON:** (Azul) Cuando esté encendido, el equipo está en marcha ON y el nivel de la señal AC está dentro de los límites permitidos (hasta 250 VAC).
- **STANDBY:** (Naranja) Este led se enciende cuando el equipo está monitorizando la señal AC en la entrada. En el momento de la puesta en marcha este led se encenderá durante unos segundos mientras el sistema está verificando el voltaje de entrada.

- **>250V OVERVOLTAGE PROTECTION:** (Rojo) Si está activado, el voltaje AC está fuera de los límites permitidos por el equipo (>250VAC). El equipo no se encenderá hasta que el problema sea resuelto. Revise las conexiones y la instalación de alimentación y considere que otros equipos conectados a esta línea pueden resultar dañados.

I) AC MAINS INPUT/LINK: Conexión AC vía PowerCon.

- Conector azul para entrada AC.
- Conector gris para alimentar otras unidades en paralelo. Es posible linkar hasta 4 unidades, siempre que se use un cable de calidad con una sección mínima de 3x2,5 mm². Si se conectan más de 4 unidades en paralelo se puede producir una caída de voltaje en el cable produciendo una bajada de la respuesta del sistema.

El panel de control de la X18WE contiene los siguientes elementos:

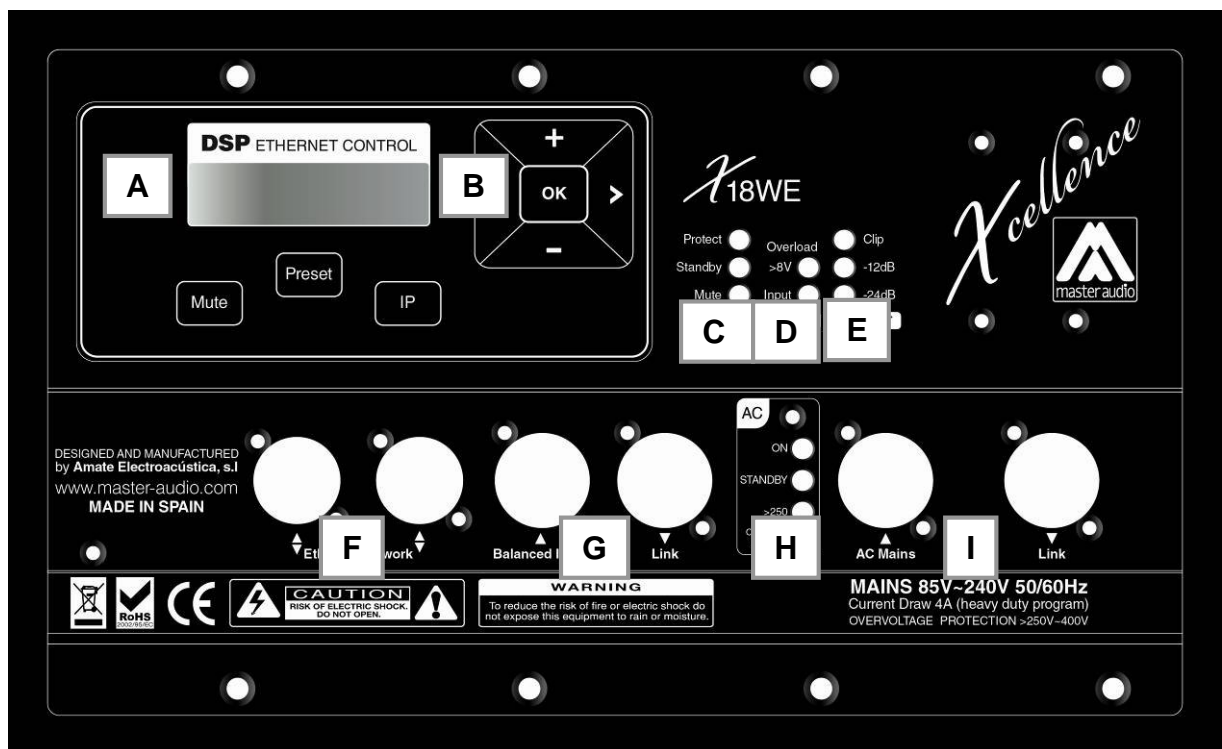


Fig.8. Panel control y conexiones X18WE

A) LCD: Muestra la información básica sobre el status del DSP.

B) KEYPAD: Permite al usuario realizar las operaciones básicas del DSP, tales como asignar la dirección IP, seleccionar Presets, etc.

C) STATUS LEDs: Indican la situación del sistema:

- **Protect:** (Rojo) El amplificador detecta un error en el sistema. Si el led está constantemente encendido, incluso después de resetear el aparato, por favor contacte con el servicio técnico.
- **Standby:** (Naranja) Este led se enciende cuando el equipo está trabajando en modo de consumo de potencia bajo. Este modo sólo puede programarse a través de una conexión con PC.

- **Mute:** (Naranja) El sistema está muteado (los amplificadores no trabajan). El sistema puede ser muteado a través de una conexión con PC o a través del teclado (KeyPad).

IMPORTANTE: Cuando el amplificador está en MUTE, el led PROTECT se encenderá para indicar que el amplificador está deshabilitado. Así mismo, cuando el sistema se recupere del modo STANDBY, el led PROTECT se encenderá durante unos segundos. Bajo estas circunstancias el led PROTECT está indicando que el amplificador está deshabilitado, pero no que está dañado (error del sistema).

D) SIGNAL INPUT LEDS: Monitorizan la señal que llega al módulo de entrada.

- **Input:** La señal está presente en la entrada. El nivel de entrada nominal es de +8dBu (2Vrms).
- **>8 Overload:** La señal de entrada excede +14dBu (4Vrms), por lo tanto será comprimida. Evite que este led esté constantemente parpadeando; de esta manera se preservará el rango dinámico de la señal de audio.

E) OUTPUT LEDS: Muestran el nivel de salida del amplificador, tanto para el canal Low como para el canal High.

- **-24dB:** El amplificador está dando potencia de salida a un nivel -24dB con respecto a la máxima potencia
- **-12dB:** El amplificador está dando potencia de salida a un nivel -12dB con respecto a la máxima potencia
- **Clip:** El amplificador está dando su máxima potencia de salida

El panel de conexiones está formado por las siguientes partes:

F) NETWORK: Conexión a ordenador a través de protocolo Ethernet. Dos conectores de 8 pins RJ45 / EtherCon® con switch interno permiten la conexión en paralelo de varias unidades. Por favor, lea el manual de Instalación rápida de conexión Ethernet para obtener más información sobre la conexión remota.

G) BALANCED INPUT/LINK:

Conector hembra XLR-3 de señal balanceada para señal de entrada.

Conector macho XLR-3 para conexión en paralelo de varias cajas con la misma señal de entrada.

IMPORTANTE: Por favor use siempre cable de micrófono balanceado con las siguientes conexiones:

1= Shield (Ground) 2= Live (+) 3= Return (-)

H) AC INPUT/OVERVOLTAGE PROTECTION: Estos leds muestran el status de la señal de alimentación AC.

- **ON:** (Azul) Cuando esté encendido, el equipo está en marcha ON y el nivel de la señal AC está dentro de los límites permitidos (hasta 250 VAC).
- **STANDBY:** (Naranja) Este led se enciende cuando el equipo está monitorizando la señal AC en la entrada. En el momento de la puesta en marcha este led se encenderá durante unos segundos mientras el sistema está verificando el voltaje de entrada.

- **>250V OVERVOLTAGE PROTECTION:** (Rojo) Si está activado, el voltaje AC está fuera de los límites permitidos por el equipo (>250VAC). El equipo no se encenderá hasta que el problema sea resuelto. Revise las conexiones y la instalación de alimentación y considere que otros equipos conectados a esta línea pueden resultar dañados.

I) AC MAINS INPUT/LINK: Conexión AC vía PowerCon.

- Conector azul para entrada AC.
- Conector gris para alimentar otras unidades en paralelo. Es posible linkar hasta 2 unidades, siempre que se use un cable de calidad con una sección mínima de 3x2,5 mm². Si se conectan más de 2 unidades en paralelo se puede producir una caída de voltaje en el cable produciendo una bajada de la respuesta del sistema.

6. SUBWOOFER CARDIOIDE X18WE

El subwoofer X18WE permite un funcionamiento cardioide en combinación con tres (o múltiples de tres) unidades del mismo modelo. El control de la directividad a bajas frecuencias es muy importante en la reproducción del sonido: primeramente, se produce una reducción del nivel de presión sonora detrás de los subwoofers y, en consecuencia, se puede conseguir un escenario limpio de sonido de bajas frecuencias; en segundo lugar, en lugares cerrados, se reduce el campo sonoro difuso y los modos de la sala se excitan en un grado mucho más bajo. Por lo tanto, los subwoofers son menos sensibles a los modos propios del recinto.

El rango de funcionamiento típico de un subwoofer tradicional tiende a ser como el de un monopolo, es decir, tiende a irradiar con la misma energía hacia todas las direcciones. Este comportamiento implica que el control de la radiación a bajas frecuencias sea muy complicado porque las longitudes de onda son muy grandes en comparación con el tamaño de la fuente (8,5m a 40Hz).

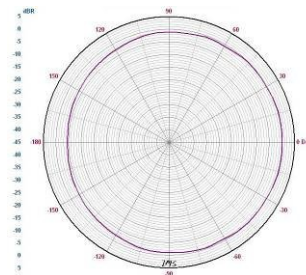


Fig.9. Patrón polar típico de un subwoofer a 40Hz

Para aumentar la directividad a bajas frecuencias debemos transformar el comportamiento omnidireccional a cardioide. Esto sólo se puede conseguir con varias fuentes, colocadas en una determinada posición, a las cuales se les aplica una fase, un filtrado y un delay determinado. Es decir, debemos conseguir reproducir dos señales de la misma frecuencia y similar amplitud que, cuando se encuentran en un punto específico del medio en el cual se propagan, presenten una diferencia de fase de 180° aproximadamente.

Si las fases y los delays están bien calculados el resultado será un sistema en el cual habremos cancelado la energía de la parte posterior y no la frontal.

Esto sólo se puede conseguir con recintos que incorporen unidades de delay independientes para cada caja como los recintos Master Audio X18WE.

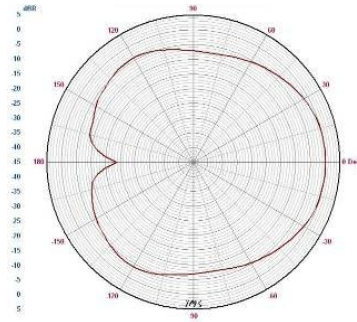


Fig.10. Patrón cardioide

6.1. El preset **CARDIOID**

Los recintos X18WE pueden generar un comportamiento cardioide de una manera rápida y cómoda.

En su configuración básica se necesitan tres unidades apiladas.

Sólo un subwoofer es necesario para compensar la energía de las otras dos unidades que radian frontalmente. Por lo tanto, la unidad que radia hacia atrás (hacia el escenario) debe estar colocada en el centro de la columna.

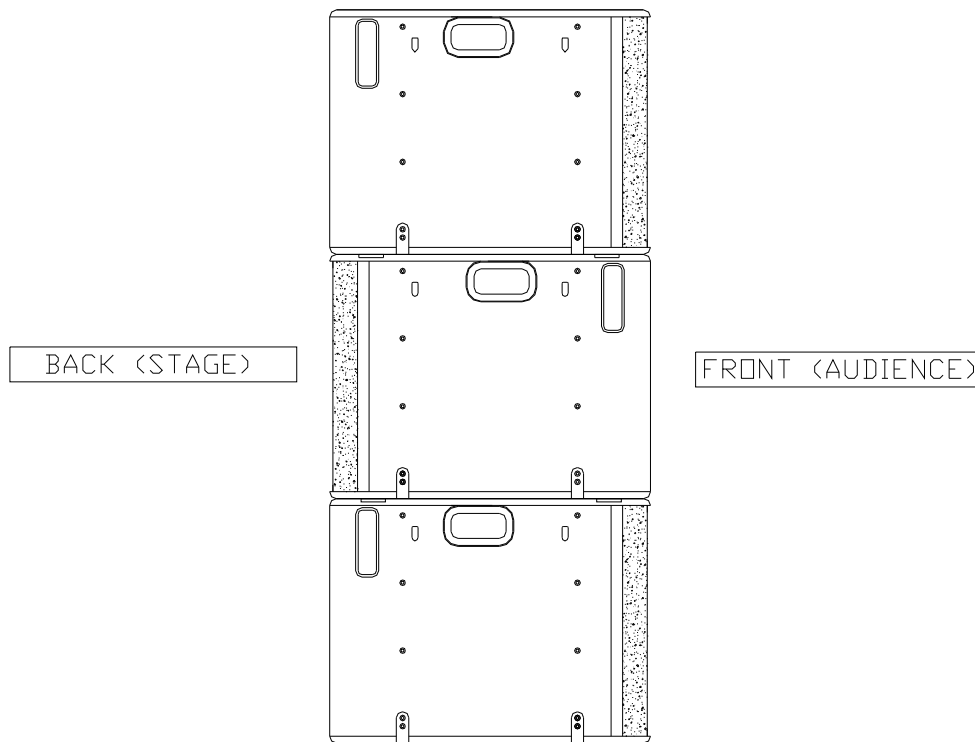


Fig.11. Configuración cardioide básica para X18WE

Los subwoofers que radian frontalmente (hacia el público) deben estar con el preset [LPF90+3] o [LPF90+6]. El subwoofer que radia hacia atrás (escenario) debe estar con el preset [CARDIOID] seleccionado.

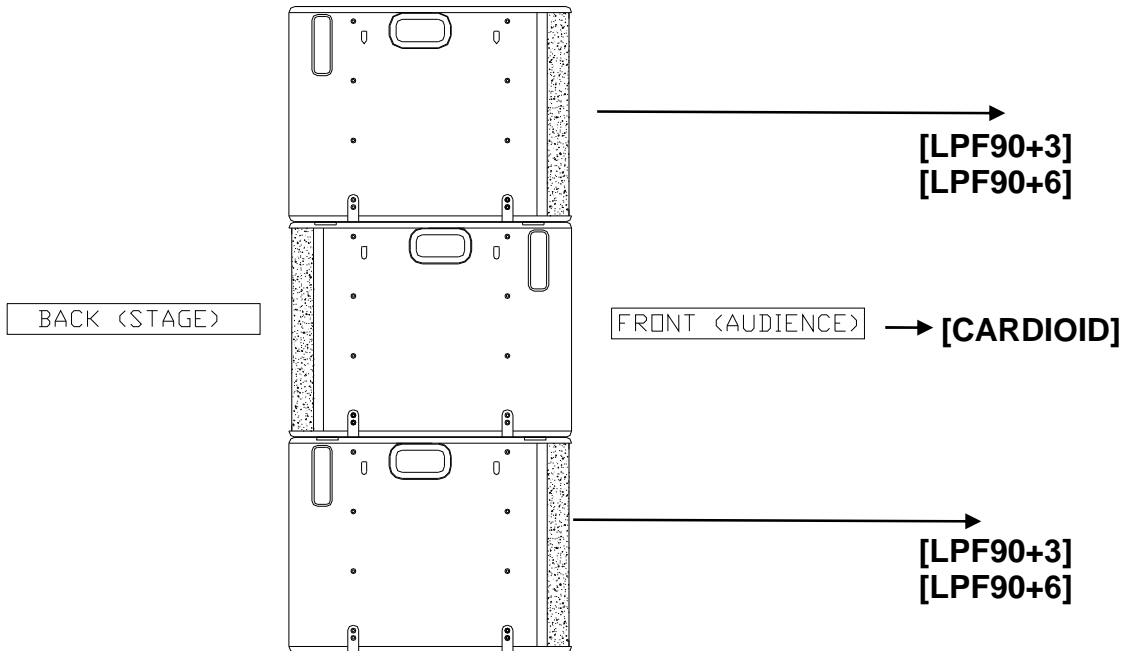


Fig.12. Presets para configuración cardioide

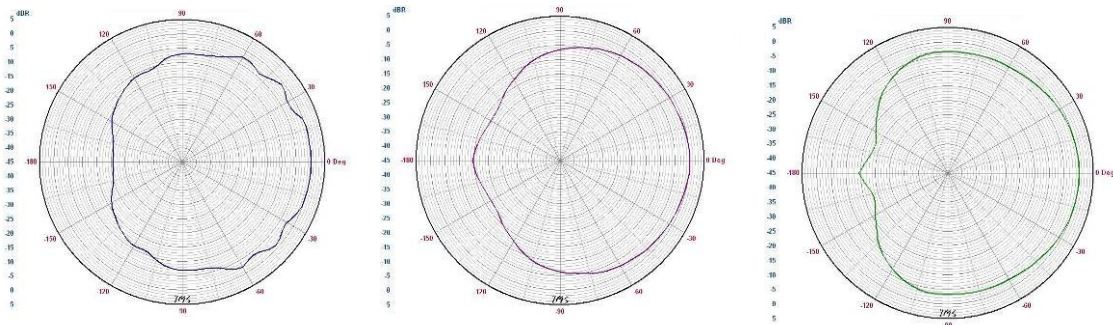


Fig.13. Rechazo de energía trasera a 40Hz / 50Hz / 63Hz

IMPORTANTE: Si el usuario desea ajustar su propio preset CARDIOID existe un manual específico de ajuste. Contacte con el departamento comercial de Master Audio para más información.

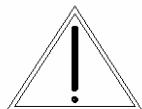
7. CONEXIONADO

7.1. Conexión paralelo

Conecte la señal (salida de mesa de mezclas) a la entrada INPUT de la primera unidad. Usar la salida LINK (primera unidad) para transportar la señal a la entrada INPUT de la segunda unidad y así sucesivamente. Todas las unidades en la cadena tienen que estar encendidas.

ATENCIÓN: Conexiones de Señal no balanceadas deben desconsiderarse.

Para la conexión de red en paralelo use cable con conector gris Neutrik PowerCon NAC3FCB en un extremo y conector azul Neutrik PowerCon NAC3FCA en el otro extremo.



No conecte en paralelo más de 4 recintos del modelo X12CE, X15CE o X15LTE usando el conector AC Stacking Output.
No conecte en paralelo recintos de la serie Xcellence usando cable PowerCon-PowerCon sin toma de tierra.

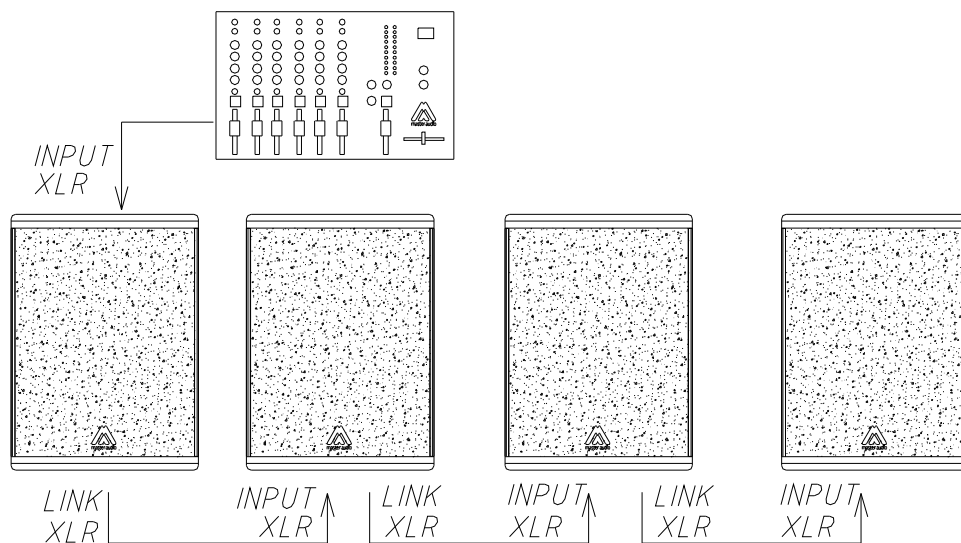


Fig.14. Conexión en paralelo para XcellenceE (señal)

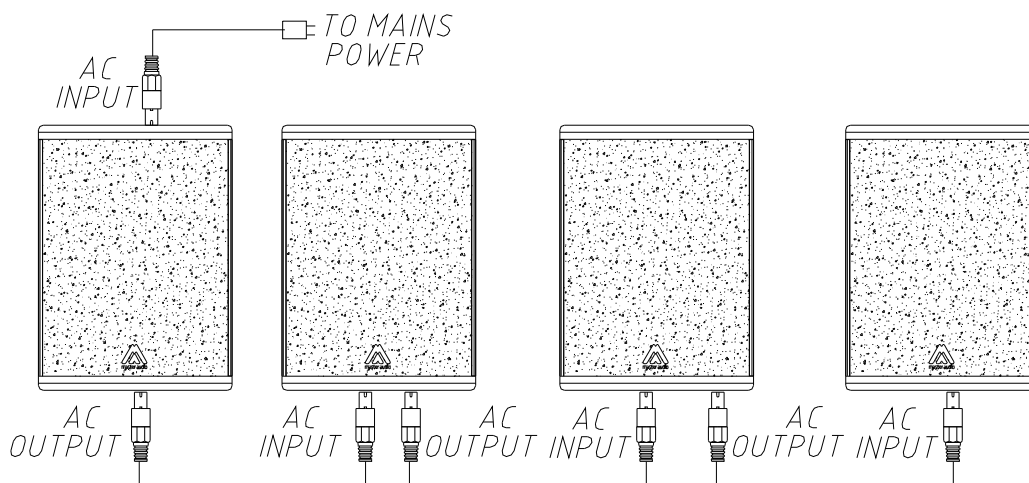


Fig.15. Conexión en paralelo para XcellenceE (red)

7.2 Conexión combinada sistemas Full-Range con subwoofer en paralelo

Es posible conectar paralelamente sistemas X12CE, X15CE o X15LTE con sus respectivos refuerzos de graves X18WE. Para ello se procederá de igual forma que en las Fig.14 y Fig.15, tanto para las señales de audio como para la red eléctrica, no sobrepasando en ningún caso las 4 unidades máximo a linkar.

8. PROTECCION “OVERVOLTAGE”

Los modelos de la serie Xcellence incorporan en exclusiva protección contra el sobre voltaje de red.

En la entrada de red (MAINS) un circuito electrónico compara el voltaje de entrada con un valor referencia. Cuando la tensión de entrada supera los 250 Voltios el circuito actúa, bloqueando la tensión de entrada hasta que ésta no vuelve a sus límites correctos (230V+/- 10%).

En el momento que el LED de “Overvoltage” se enciende a rojo, la caja acústica dejará de sonar, hasta que se reestablezcan los valores correctos de tensión.

Generalmente la causa de esta anomalía suele ser la caída del neutro o la conexión accidental del equipo a 400V. Siempre que el led rojo de “overvoltage” se active, REVISAR la tensión de las fases eléctricas ya que otros dispositivos de su sistema de sonido corren un alto riesgo de avería.

9. MONTAJE E INSTALACIÓN

Siempre que sea posible, coloque las unidades Full Range en posición elevada (entre dos y tres metros del suelo), inclinadas hacia la audiencia. Si las cajas se colocan a una altura cercana al suelo los oyentes de las últimas filas recibirán un sonido de baja calidad.

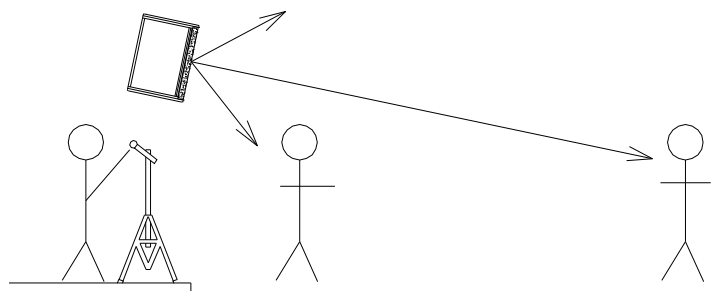


Fig.16. Orientación de recintos full range de la serie Xcellence

Los modelos X12CE y X15CE incorporan en su parte superior e inferior un vaso para trípode estándar de 35mm. Para su utilización destornille los 4 tornillos de la tapa ciega central.

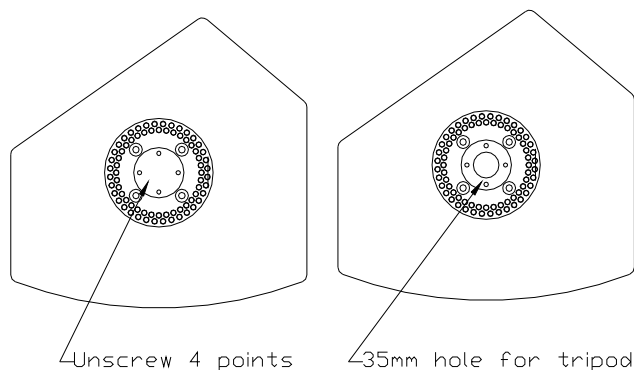


Fig.17. Base para trípode (X12CE, X15CE)

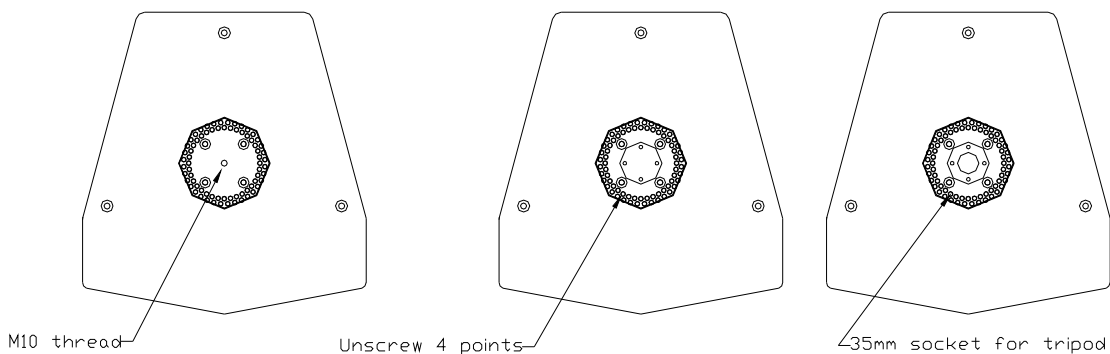


Fig.18. Base pletina superior (izquierda) y base para trípode (derecha) para X15LTE

No utilice el trípode en superficies con pendiente ni coloque la caja demasiado alta, pues el sistema puede ser totalmente inestable.

El subwoofer X18WE incorpora en su parte superior una base para roscar una barra estándar de diámetro 35mm.

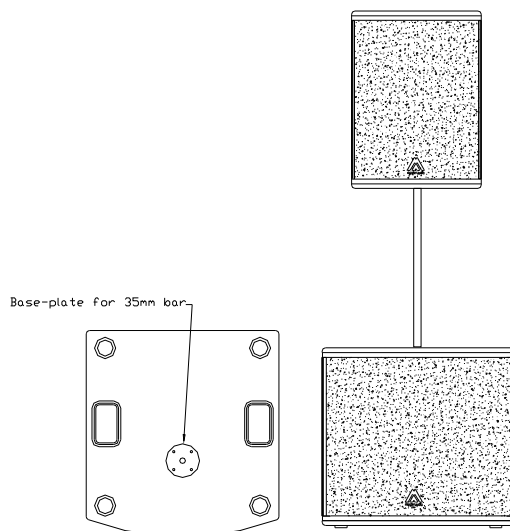


Fig.19. Combinación con subwoofer

La forma en cuña de los recintos X12CE y X15CE permite su utilización como monitor de escenario sin la necesidad de incorporar ningún accesorio extra. Recuerde utilizar el Preset MONITOR en este caso.

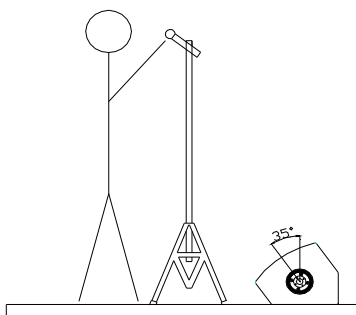


Fig.20. Uso como monitor de escenario

El logotipo de la marca puede girarse en caso de utilización de la caja en posición horizontal (X12CE, X15CE).

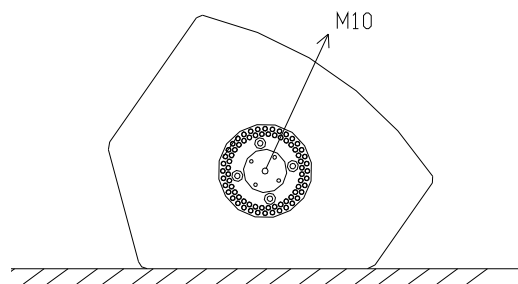
10. ACCESORIOS DE COLGADO (X12CE, X15CE)

El UB-X12 es un accesorio opcional para el colgado en pared (horizontal) o colgado en truss (horizontal) de la X12CE.

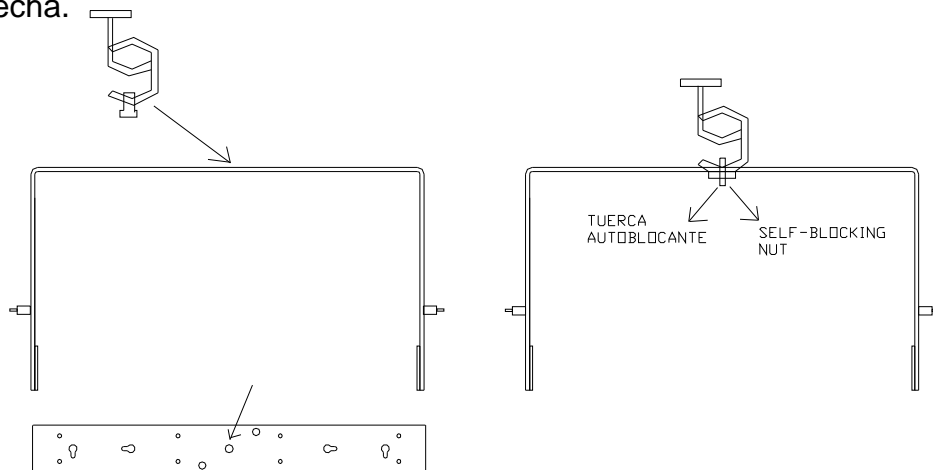
El UB-X15 es un accesorio opcional para el colgado en pared (horizontal) o colgado en truss (horizontal) de la X15CE.

10.1 Montaje en truss

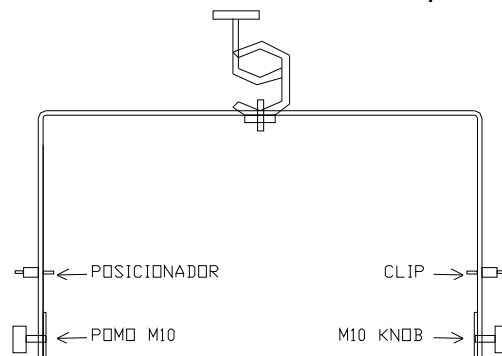
1- Colocar la caja en el suelo o en una posición cómoda de trabajo. Las bases laterales deben incorporar la pieza con la rosca de M10.



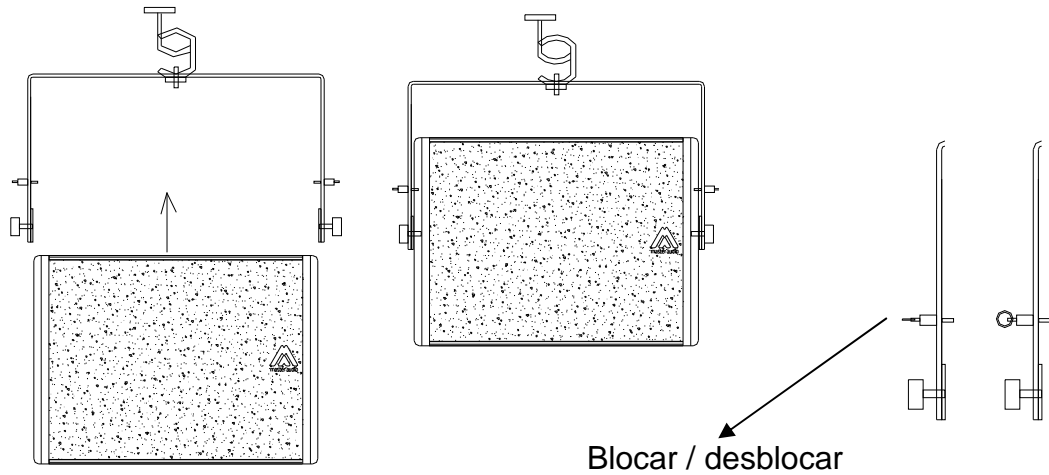
2- Colocar en el soporte UB-X el accesorio opcional GT-50 (garfio para colgado). Bloquear correctamente con una tuerca autobloqueante. Usar el punto central indicado con una flecha.



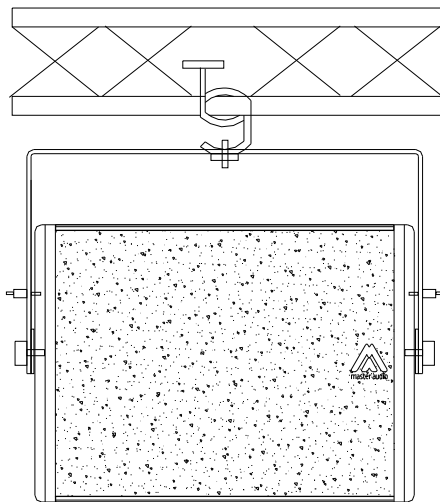
3- Colocar los pomos de M10 en los laterales del soporte.



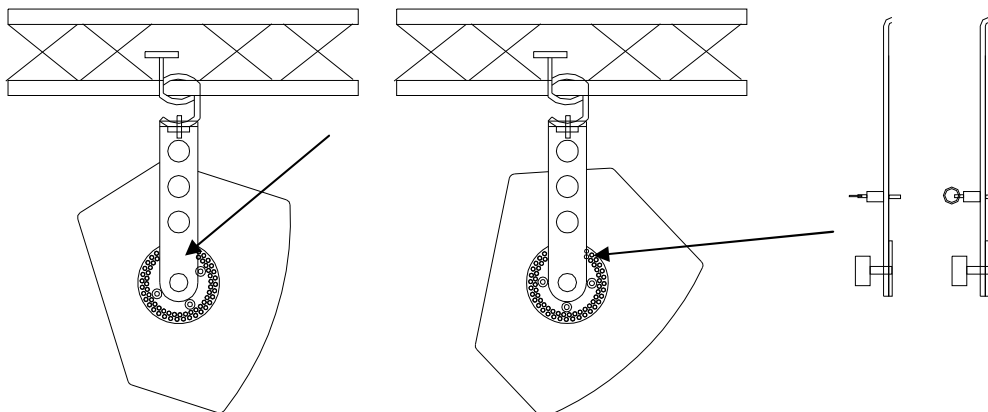
4- Colocar el soporte UB-X en la caja X12CE –X15CE. Fijar ambos laterales por los pomos de M10 y colocar el posicionador en una posición aleatoria (simplemente para bloquear el sistema). Más tarde se ajustará la graduación. Gire la anilla del posicionador para bloquear/desbloquear.



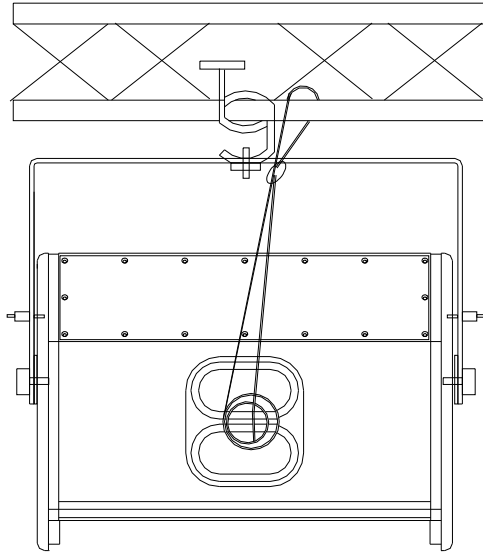
5- Fijar todo el sistema en la estructura de colgado. Asegurar el garfio.



6- Dar la inclinación necesaria a través de los posicionadores.

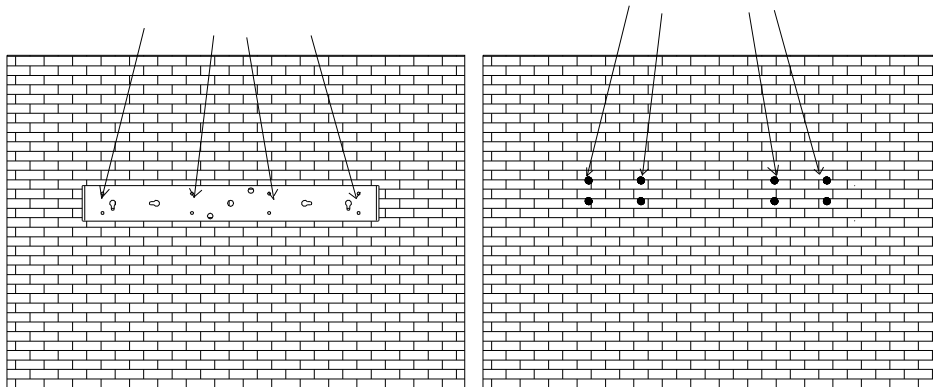


7- Puede usar la eslinga opcional (SC-15X) como medida de seguridad adicional, colocándola alrededor del asa y alrededor de la barra del truss.

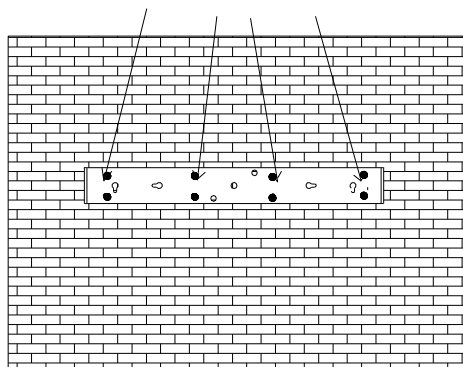


10.2 Montaje en pared

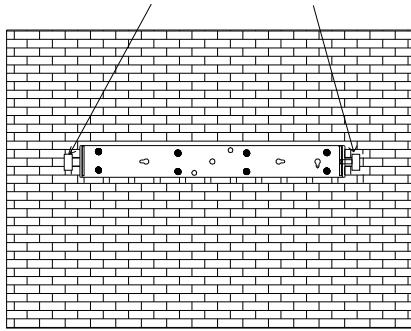
1- Sitúe el soporte UB-X cerca de la pared donde vaya a colgar la caja y marque la localización de los puntos de soporte.



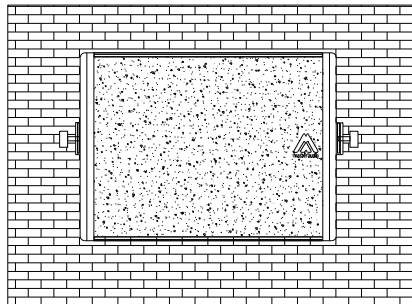
2- Realice los taladros en la pared y fija el soporte con tacos y tornillería adecuada y de alta resistencia.



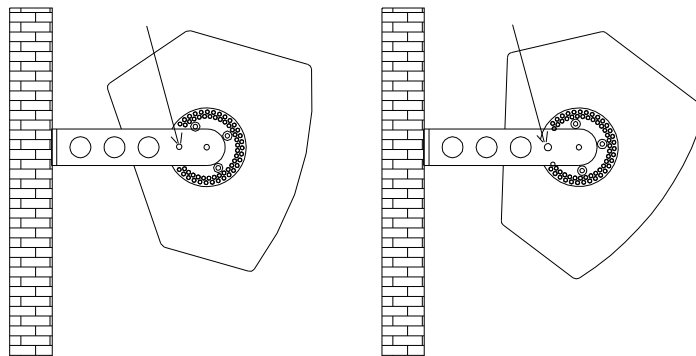
3- Coloque los dos pomos de M10 en los laterales del soporte.



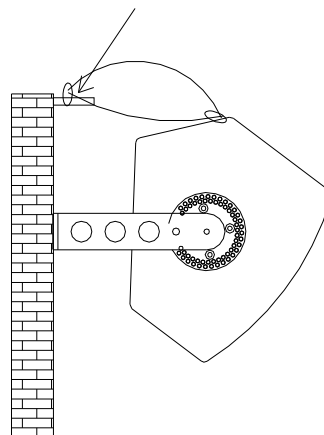
4- Coloque la caja entre el soporte y la pared y fíjela con los dos pomos de M10



5- Dar la inclinación necesaria a través de los posicionadores.



6- Puede usar la eslinga opcional (SC-15X) como medida de seguridad adicional, colocándola alrededor del asa. En este caso, la eslinga debe fijarse a un punto de carga exterior.



11. VOLADO X15LTE

La X15LTE incorpora puntos de suspensión M10. Su correcta combinación permite el volado de las cajas tanto en posición horizontal como en vertical.

Volado vertical

Puntos "1". Utilice el punto 2 para dar la inclinación necesaria.

Volado horizontal

Puntos "3". Utilice los puntos 4 para dar la inclinación necesaria.

Como accesorio opcional de volado se suministran anillas Rigging de M10 (ACR M10).

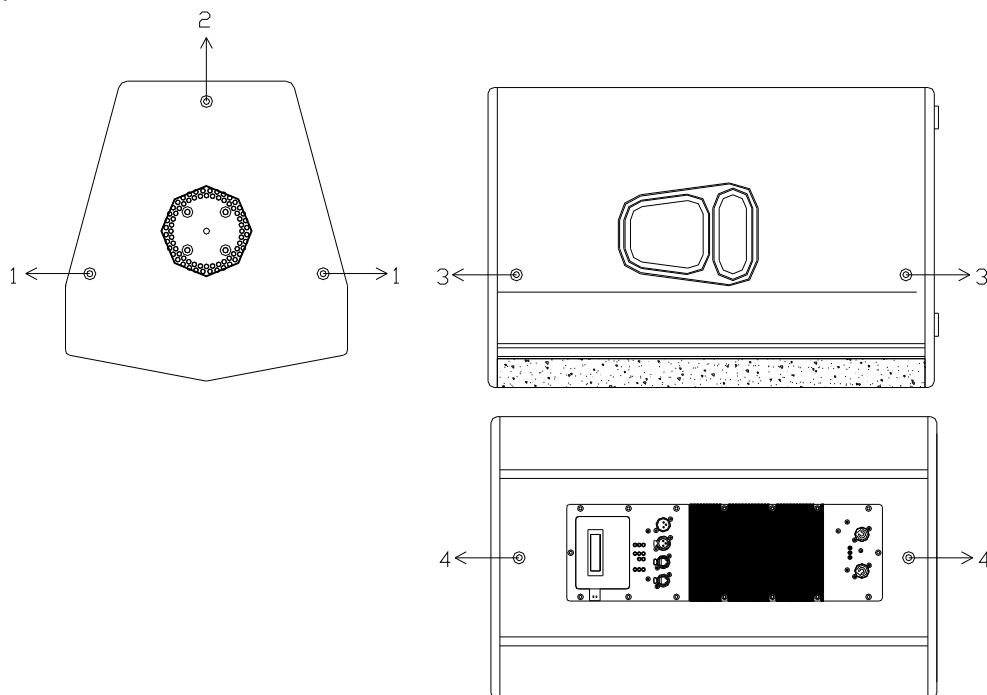


Fig.21. Puntos volados X-15LTE

12. SOLUCIÓN DE PROBLEMAS

Sin alimentación

- Asegúrese que el aparato esté conectado a la red.
- Asegúrese que el cable de red esté en buenas condiciones.
- El Fusible térmico puede estar activado. La reposición de este fusible debe ser realizado por personal especializado pues se encuentra en la parte interna del módulo amplificador.

Sin sonido

- Compruebe en el/los indicador/es de salida del mezclador que la señal está siendo enviada.

- Compruebe que los cables de señal estén en buenas condiciones y conectados en ambos extremos.
- El nivel de salida del mezclador no debe estar al mínimo.
- Revise que el mezclador no esté en Mute. Compruebe tecla MUTE en el DSP

Señal de salida distorsionada

- El sistema está siendo saturado con señal de entrada muy elevada, frecuentemente causada por el propio mezclador. Comprobar el nivel de salida o la ganancia de los canales del mezclador.

Nivel de graves pobre

- Compruebe la polaridad de las conexiones de señal entre el mezclador y los recintos acústicos. Si en algún caso se ha invertido cualquier Pin (1, 2 o 3) en un extremo del cable, provoca elevadas pérdidas de rendimiento y de calidad del sonido.

Ruidos y zumbidos

- Asegúrese que todas las conexiones a las cajas auto-amplificadas están en buenas condiciones.
- Evite que los cables de señal estén liados con los cables de red o cerca de transformadores o aparatos que emitan EMI.
- Compruebe que no hay ningún regulador de intensidad de luz en el mismo circuito AC de la caja. Conecte SIEMPRE el circuito de sonido y el de iluminación a distintas fases.

Led de “Overvoltage” Encendido (ROJO)

- Revisar que el voltaje de la Red esté dentro de los límites (230V+/-10%)

*** Para cualquier información técnica adicional pueden dirigirse a nuestro Servicio Post-Venta, al e-mail: info@master-audio.com o al tel. 93 735 65 65 de Amate Electroacústica, sl.

13. ESPECIFICACIONES TÉCNICAS

	X12CE	X15CE	X15LTE	X18WE
Entrada de Audio				
Sensibilidad	+8dBu			+2dBu
Impedancia	20kΩ			
Alimentación				
Tipo	Fuente conmutada universal 85-135VAC / 170-265VAC / 45- 65Hz (overvoltage protection >250V)			
Consumo medio (1/3 máx. potencia)	1.3A		1.3A	1.9A
Respuesta frecuencia Banda útil (-10 dB)	48Hz-20kHz	44Hz-20kHz	42Hz-19kHz	32Hz-140Hz
Máximo nivel salida (1m/continuo)	127 dB SPL		131 dB SPL	133 dB SPL
Amplificación (programa)	800 + 200W		1000 + 200W	2400W
Directividad nominal (-6dB)	Axi-simétrica 80°		60° x 50°	omnidireccional
Componentes				
LF	1 x 12" woofer neodimio (bobina 3")	1 x 15" woofer neodimio (bobina 3")	1 x 15" woofer neodimio (bobina 3")	1 x 18" woofer neodimio (bobina 4")
HF	1 x driver neodimio, diafragma titanio (bobina 3")		1 x driver neodimio, diafragma titanio (bobina 3")	-
Recinto				
Tipo	Bass-reflex			
Altura	560 mm	650 mm	750 mm	540 mm
Anchura	410 mm	460 mm	470 mm	664 mm
Profundidad	430 mm	430 mm	500 mm	700 mm
Ángulo (monitor)	35° respecto la vertical		-	-
Peso (neto)	22,3 Kg	25,9 Kg	37,9 Kg	46,2 Kg
Conectores	2 x AC PowerCon (input, link) 2 x XLR (input, link) 2x Ethercon RJ45 para Ethernet (connection/link)			
Material	Tablero abedul, reja frontal acero con tela gris acústica			
Acabado	Pintura Polyurea de alta resistencia			